



RLTMDL-1550R 1-200 mW

ROUND SPOT BEAM PROFILE



Infrared Laser Diode Module

Infrared diode laser module at 1550nm, featuring compact size, long lifetime, low cost, and easy operatability, which is widely used for measurements, communication, spectrum analysis, etc.



Specifications	
Wavelength	1550 ±10 nm
Output Power	1 – 200 mW
Energy Distribution	Even
Beam Spot	Round
Operating Mode	CW
Power Stability (rms, over 4 hours)	< 1%, < 3%, < 5%
Warm-up time	< 5 min
Beam Divergence (full angle)	< 8.0 mrad
Beam Diameter (at the aperature)	~ 2 mm
Beam Height (from base plate)	24.8 mm
Operating Temperature	10 - 35 °C
Power Supply (90-260VAC)	PSU-FDA (included)
Expected Lifetime	10000 hours
Warranty period	1 year

Options	
PSU-LED (90-260VAC)	Power supply featuring adjustable ouptut power and current display
PSU-OEM (5VDC)	DC power supply for system integration
TTL modulation	1-30 kHz
Analog modulation	1-30kHz, 0-5V
Fiber coupling	Multi mode fiber, SMA-905 or FC connector



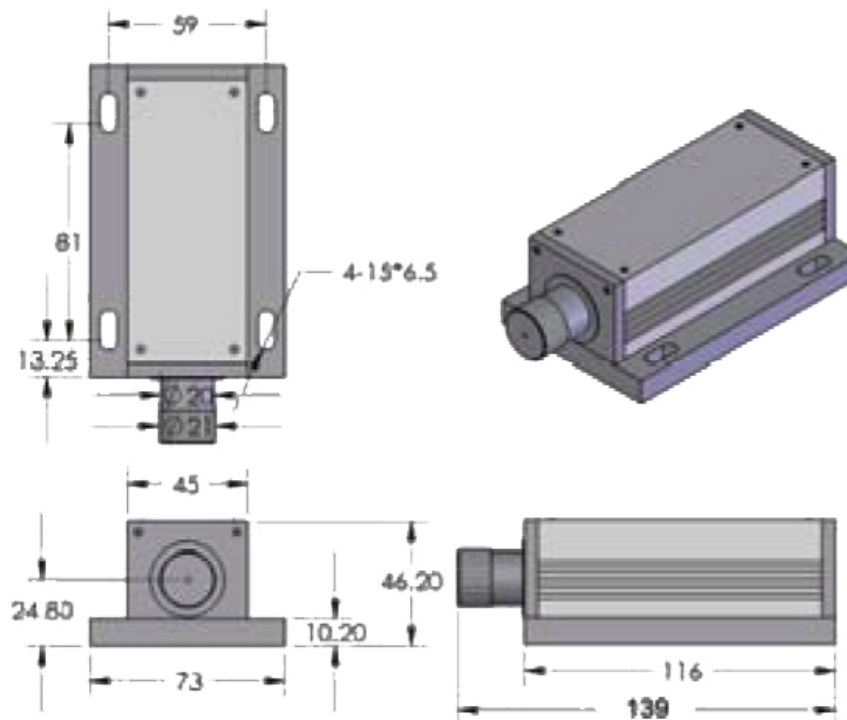
LASER RADIATION
AVOID DIRECT EXPOSURE TO BEAM
DO NOT STARE INTO BEAM
NEVER VIEW THROUGH OPTICAL INSTRUMENTS



RLTMDL laser head



139 x 73 x 46 mm³, 0.6 kg

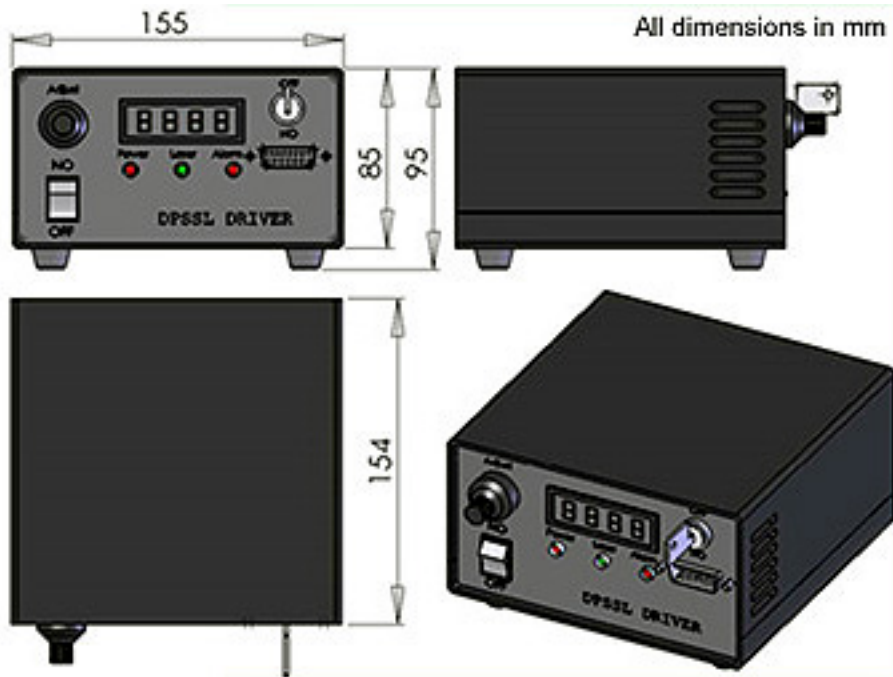




PSU-LED power supply



154 x 155 x 95 mm³, 1.5 kg

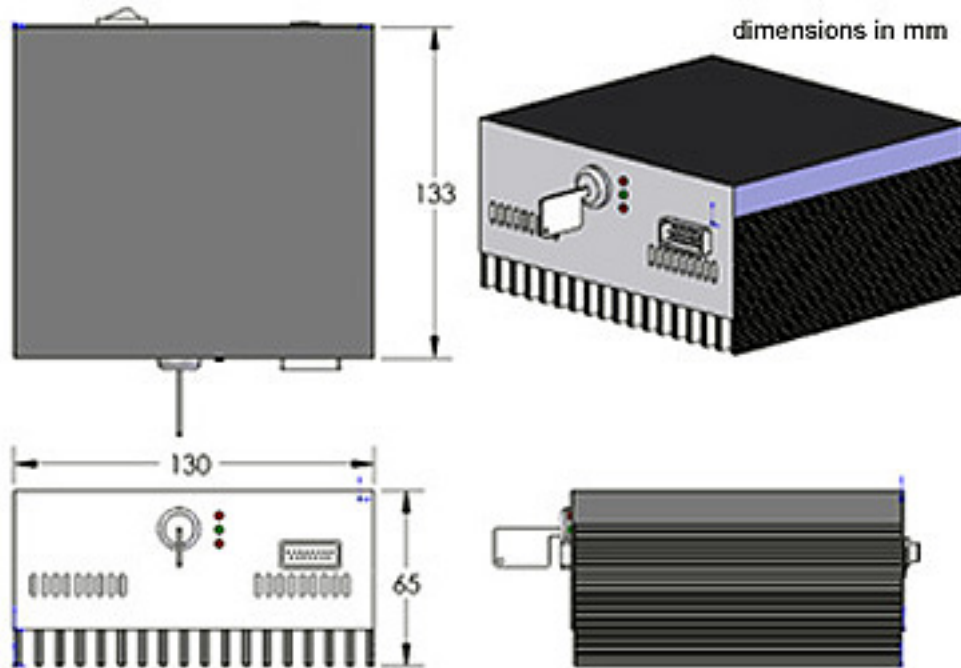




PSU-FDA power supply

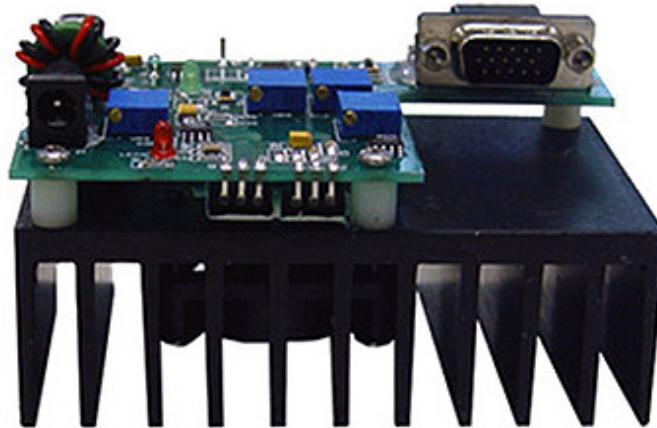


133 x 130 x 65 mm³, 1.2 kg





PSU-OEM power supply



100 x 60 x 56 mm³, 0.2 kg

