



## RLTMDL-405 1-500 mW



## Violet Laser Diode Modul

Violet diode laser module at 405nm is made features of ultra compact, long lifetime, low cost and easy operating, which is used in measurement, communication, spectrum analysis, etc.



Specifications	
Wavelength	405 ±5 nm
Output Power	1 – 300 mW
Transverse Mode	Near TEM <sub>00</sub>
Operating Mode	CW
Power Stability (rms, over 4 hours)	< 1%, < 3%, < 5%
Warm-up time	< 5 min
Beam Divergence (full angle)	0.5 mrad
M <sup>2</sup> factor	<1.5 (<1.2, optional)
Beam Diameter (at the aperature)	~ 2.5 (~1.2, optional)
Beam Height (from base plate)	24.8 mm
Pointing stability after warm up	< 0.05
Polarization Ratio	>50:1 (>100:1, optional)
Operating Temperature	10 - 35 °C
<b>Power Supply (90-260VAC)</b>	<b>PSU-FDA (included)</b>
Expected Lifetime	10000 hours
<b>Warranty period</b>	<b>1 year</b>

Options	
PSU-LED (90-260VAC)	Power supply featuring adjustable ouptut power and current display
TTL modulation	1-30 kHz
Analog modulation	1-30kHz, 0-5V
Fiber coupling	Multi mode/single mode fiber, SMA-905/FC connector



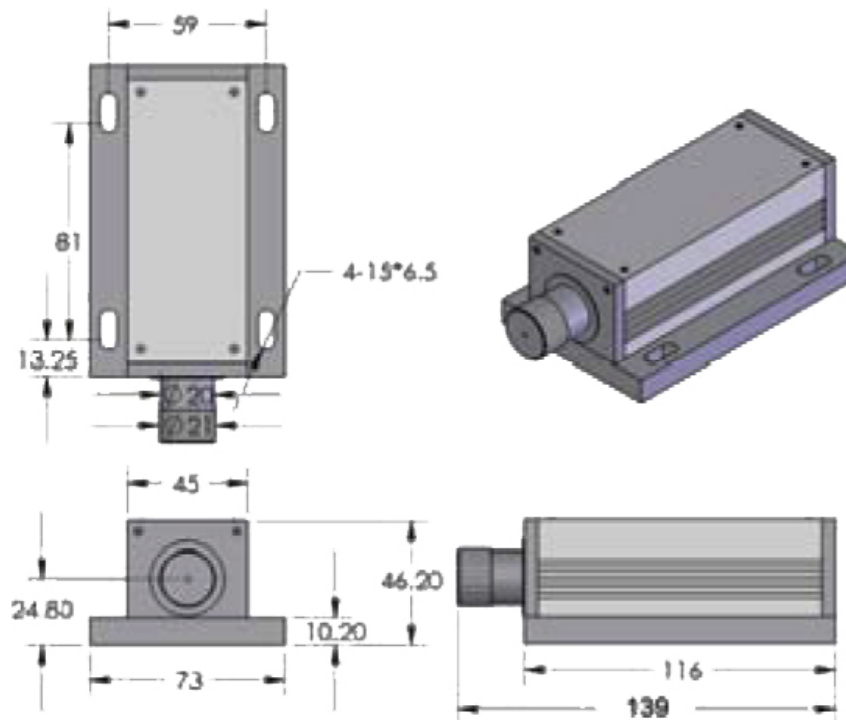
**LASER RADIATION**  
AVOID DIRECT EXPOSURE TO BEAM  
**DO NOT STARE INTO BEAM**  
NEVER VIEW THROUGH OPTICAL INSTRUMENTS



## RLTMDL laser head



139 x 73 x 46 mm<sup>3</sup>, 0.6 kg

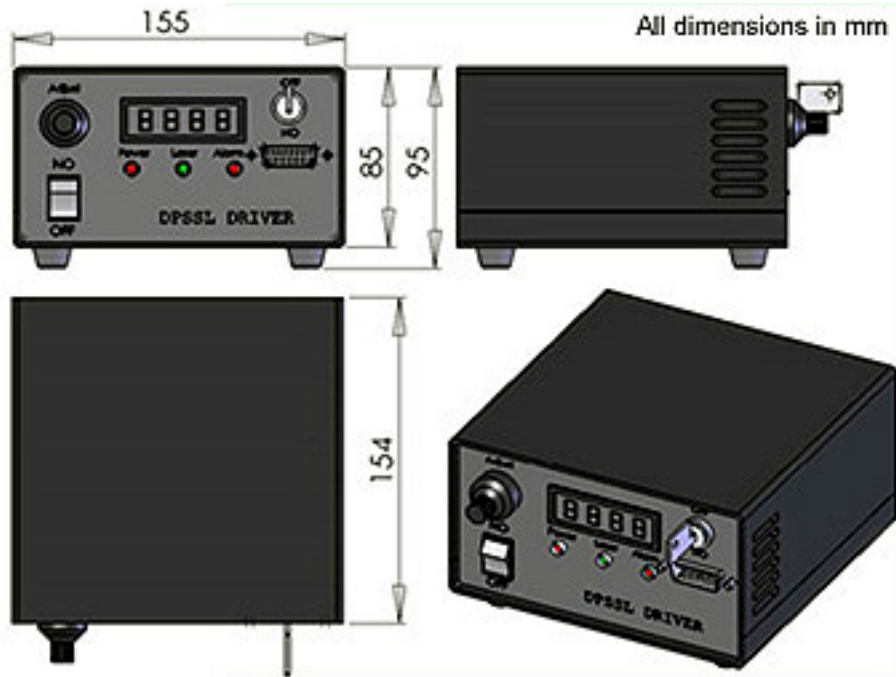




## PSU-LED power supply



154 x 155 x 95 mm<sup>3</sup>, 1.5 kg





## PSU-FDA power supply



133 x 130 x 65 mm<sup>3</sup>, 1.2 kg

