



## RLTMDL-785R 1-300 mW

ROUND SPOT BEAM PROFIL



## Infrared Laser Diode Modul

Infrared diode laser module at 785 nm featuring compact size, long lifetime, low cost, and easy operatability, which is widely used for scientific experiments, measurements, optical sensors, communication, spectrum analysis, medical treatment, etc.



Specifications	
Wavelength	785 ±5 nm
Output Power	1 – 300 mW
<b>Energy Distribution</b>	<b>Even</b>
<b>Beam Spot</b>	<b>Round</b>
Operating Mode	CW
Power Stability (rms, over 4 hours)	< 1%, < 3%, < 5%
Warm-up time	< 5 min
Beam Divergence (full angle)	< 8.0 mrad
Beam Diameter (at the aperature)	~ 2.0 mm
Beam Height (from base plate)	24.8 mm
Pointing stability after warm up	< 0.05
Operating Temperature	10 - 35 °C
<b>Power Supply (90-260VAC)</b>	<b>PSU-FDA (included)</b>
Expected Lifetime	10000 hours
<b>Warranty period</b>	<b>1 year</b>

Options	
PSU-LED (90-260VAC)	Power supply featuring adjustable ouptut power and current display
PSU-OEM (5VDC)	DC power supply for system integration
TTL modulation	1-30 kHz
Analog modulation	1-30kHz, 0-5V
Fiber coupling	Multi mode/single mode fiber, SMA-905/FC connector

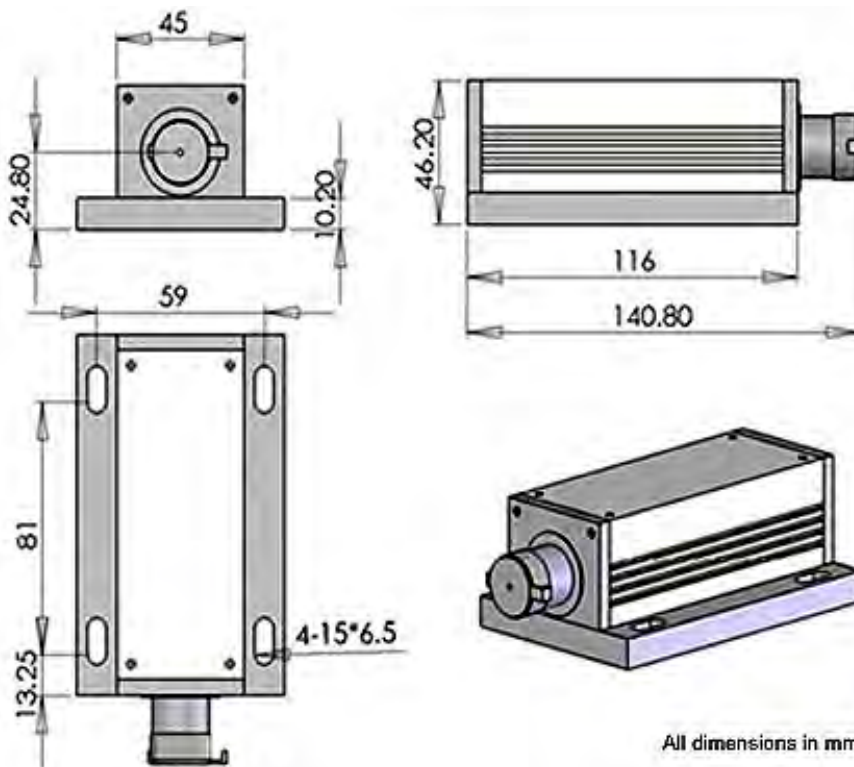




## RLTMDL laser head



141 x 73 x 46 mm<sup>3</sup>, 0.6 kg

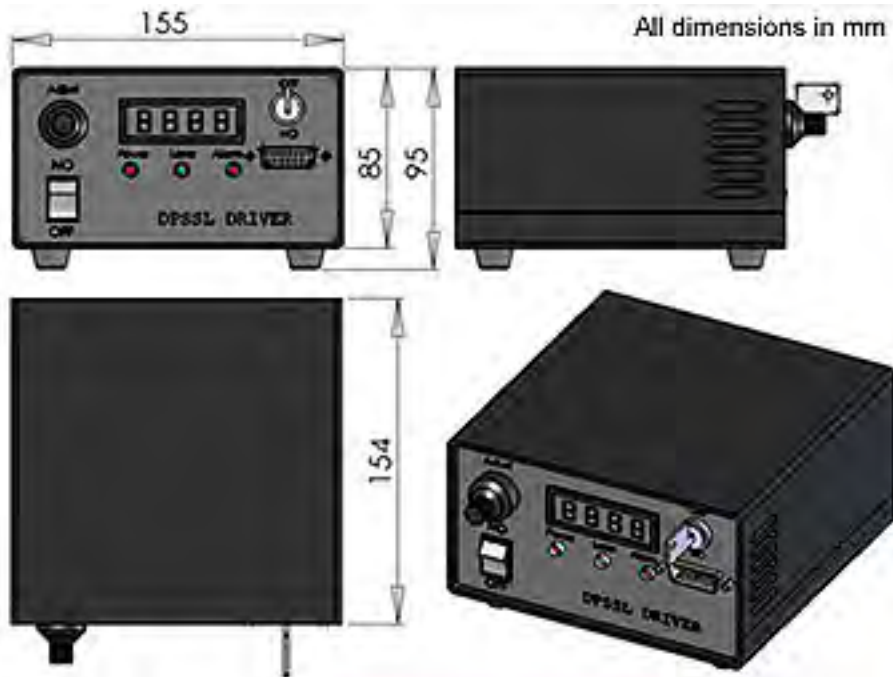




## PSU-LED power supply



154 x 155 x 95 mm<sup>3</sup>, 1.5 kg

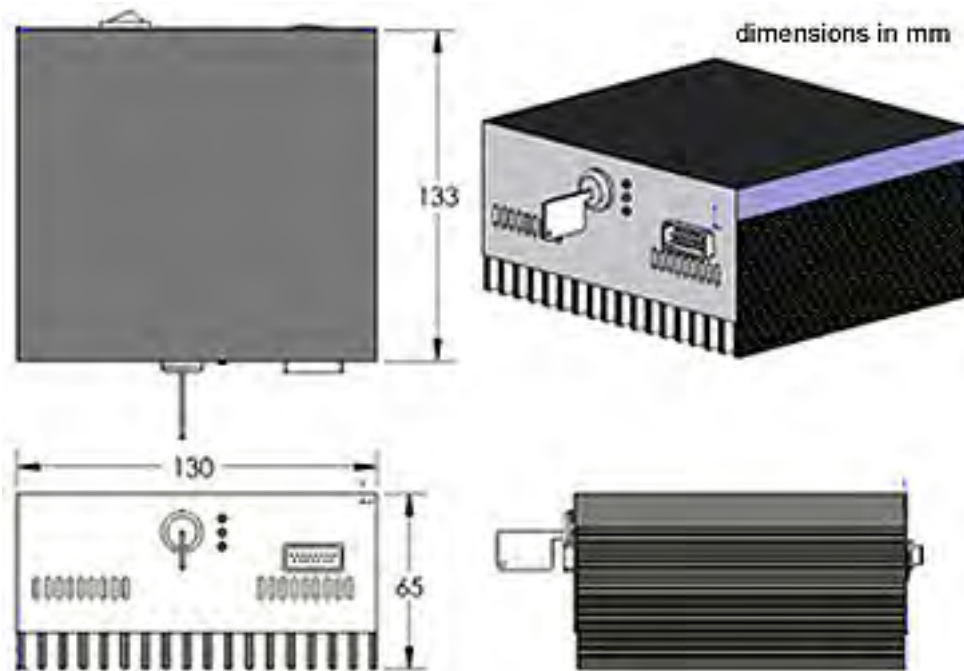




## PSU-FDA power supply

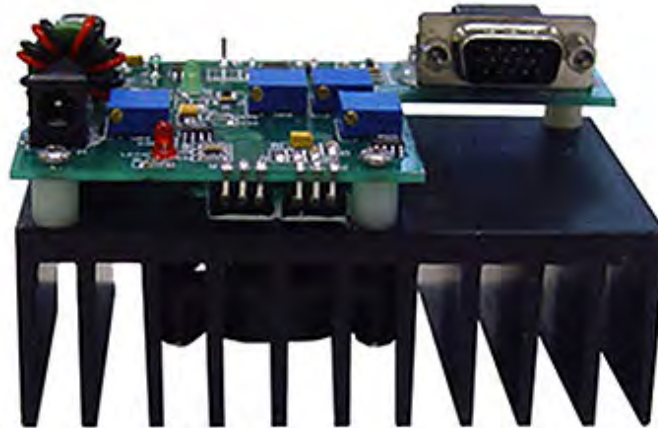


133 x 130 x 65 mm<sup>3</sup>, 1.2 kg





## PSU-OEM power supply



100 x 60 x 56 mm<sup>3</sup>, 0.2 kg

