



**RLTMDL-885 / 1~1500mW**

## INFRARED DIODE LASER AT 885nm

Diode infrared laser module at 885nm is made features of ultra compact, long lifetime, low cost and easy operating, which is used in measurement, communication, spectrum analysis, etc.



### SPECIFICATIONS

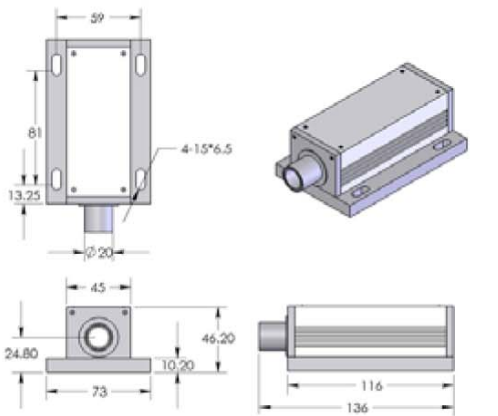
Wavelength (nm)	885 ± 5		
Output power (mW)	>1, 50, 100, ... , 1500		
Transverse mode	Near TE <sub>00</sub>		
Operating mode	CW		
Power stability (rms, over 4 hours)	<1%, <3%, <5%		
Warm-up time (minutes)	<5		
M <sup>2</sup> factor	<20		
Beam divergence, full angle (mrad)	<3.0		
Dimensions of beam at the aperture (mm)	~5×8		
Beam height from base plate (mm)	24.8		
Polarization ratio	>50:1		
Pointing stability after warm-up (mrad)	<0.05		
Operating temperature (°C)	10~35		
Power supply (90-264VAC or 5VDC)	PSU-III-LED	PSU-III-FDA	PSU-III-OEM
TTL / Analog modulation	Optional, 2kHz or higher (on request, up to 30kHz)		
Expected lifetime (hours)	10000		
Warranty	1 year		



## MxL-III-885



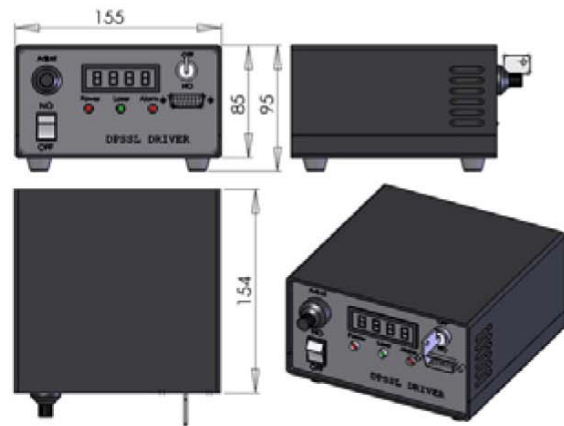
140. 8(L)×73(W) ×46. 2(H) mm<sup>3</sup>, 0.6kg



## PSU-III-LED



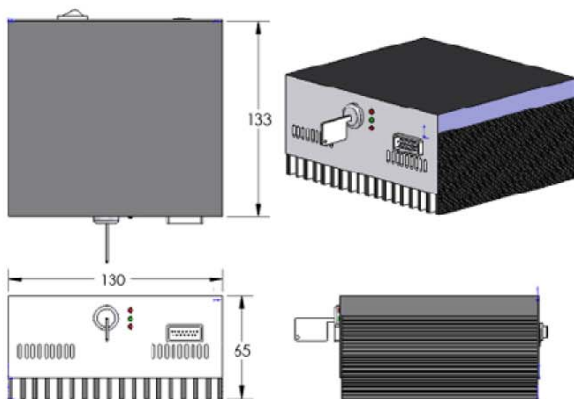
154 (L) ×155(W) ×95 (H) mm<sup>3</sup>, 1.5kg



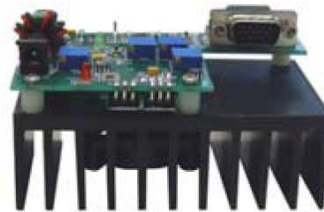
## PSU-III-FDA



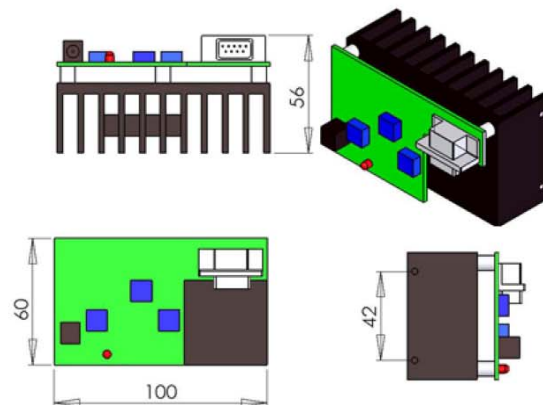
133 (L) ×130(W) ×65 (H) mm<sup>3</sup>, 1.2kg



## PSU-III-OEM



100 (L) ×60(W) ×56 (H) mm<sup>3</sup>, 0.2kg





**ROITHNER LASERTECHNIK**

Wiedner Hauptstraße 76, A-1040 Vienna, Austria  
Tel.: ++43 1 586 52 43-0, Fax -44, [office@roithner-laser.com](mailto:office@roithner-laser.com)

