



RLTMDL-915 1-1500 mW



Infrared Laser Diode Modul

Infrared diode laser module at 915 nm featuring compact size, long lifetime, low cost, and easy operatability, which is widely used for scientific experiments, measurements, spectrum analysis, etc.



Specifications	
Wavelength	915 ±5 nm
Output Power	1 – 1500 mW
Transverse Mode	Multimode
Operating Mode	CW
Power Stability (rms, over 4 hours)	< 1%, < 3%, < 5%
Warm-up time	< 5 min
Beam Divergence (full angle)	< 3.0 mrad
Beam Diameter (at the aperature)	~ 5x8 mm
Beam Height (from base plate)	24.8 mm
Operating Temperature	10 - 35 °C
Power Supply (90-260VAC)	PSU-FDA (included)
Expected Lifetime	10000 hours
Warranty period	1 year

Options	
PSU-LED (90-260VAC)	Power supply featuring adjustable ouptut power and current display
PSU-OEM (5VDC)	DC power supply for system integration
TTL modulation	1-30 kHz
Analog modulation	1-30kHz, 0-5V
Fiber coupling	Multi mode/single mode fiber, SMA-905/FC connector



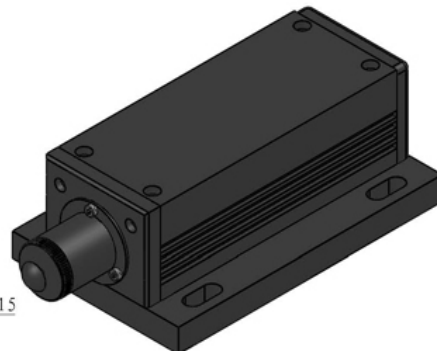
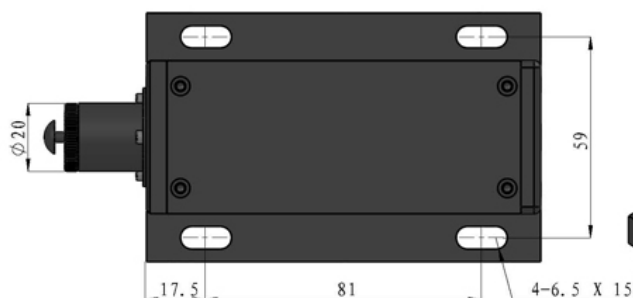
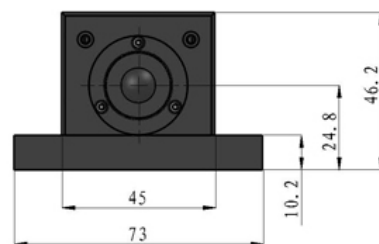
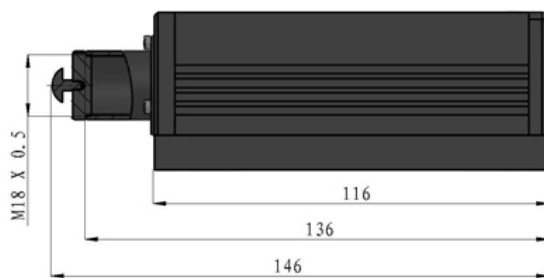
LASER RADIATION
AVOID DIRECT EXPOSURE TO BEAM
DO NOT STARE INTO BEAM
NEVER VIEW THROUGH OPTICAL INSTRUMENTS



RLTMDL laser head



146 x 73 x 46.2 mm³, 0.6 kg

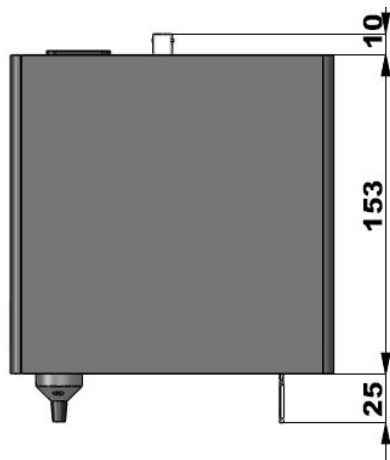
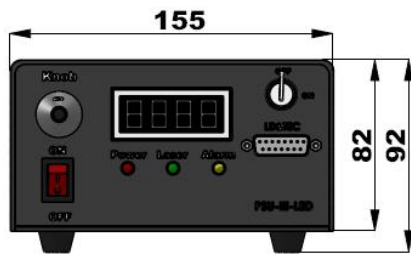




PSU-LED power supply



188 x 155 x 92 mm³, 1.5 kg





PSU-FDA power supply



171 x 130 x 62.2 mm³, 1.2 kg

