



RLTMBL-473 1-150 mW



Blue Laser Diode Modul

Blue diode laser module at 473 nm is made features of ultra compact, long lifetime, low cost and easy operating, which is used in fluorescence sensors, Ramam spectrum, laser printing, holography, laser display, submarine communication, biomedicine, laser lighting show, etc.



Specifications	
Wavelength	473 ±1 nm
Output Power	1 – 150 mW
Transverse Mode	TEM ₀₀
Operating Mode	CW
Power Stability (rms, over 4 hours)	< 3%, < 5%, < 10%
Warm-up Time	< 10 min
M ² Factor	< 1.2
Beam Divergence (full angle)	< 1.5 mrad
Beam Diameter (at the aperture)	~ 2.0 mm
Beam Height (from base plate)	24.8 mm
Polarization Ratio	> 100:1 (0 or 90 degree)
Noise of Amplitude	~ 30%
Operating Temperature	10 - 35 °C
Power Supply (90-260VAC)	PSU-FDA (included)
Expected Lifetime	10000 hours
Warranty period	1 year

Options	
PSU-LED (90-260VAC)	Power supply featuring adjustable output power and current display
PSU-OEM (5VDC)	DC power supply for system integration
TTL modulation	1-30 kHz
Analog modulation	1-30kHz, 0-5V
Fiber coupling	Multi mode/single mode fiber, SMA-905/FC connector



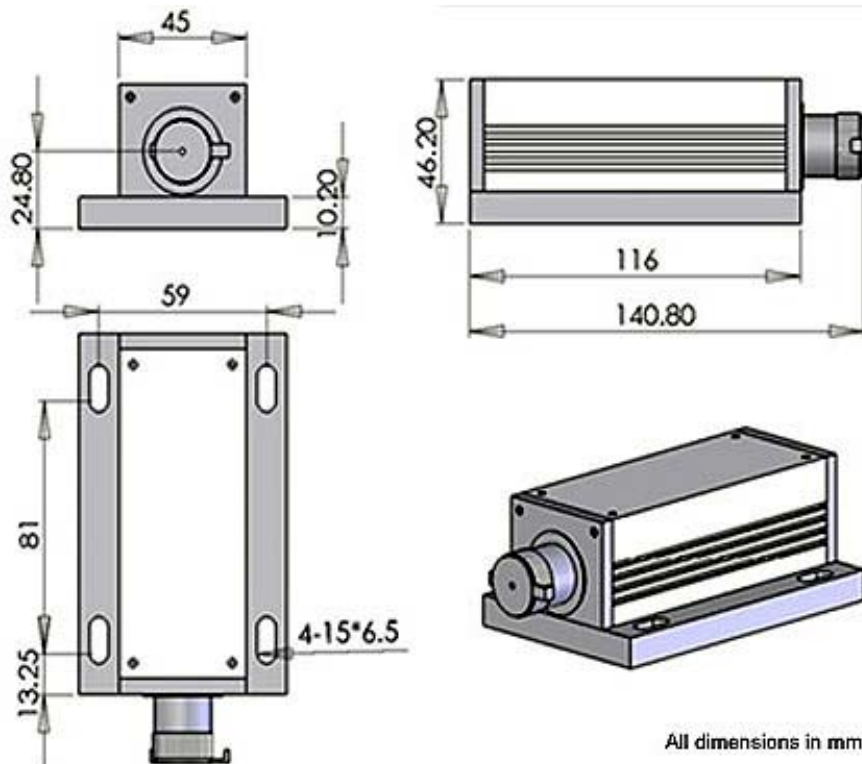
LASER RADIATION
AVOID DIRECT EXPOSURE TO BEAM
DO NOT STARE INTO BEAM
NEVER VIEW THROUGH OPTICAL INSTRUMENTS



RLTMBL laser head



141 x 73 x 46 mm³, 0.6 kg

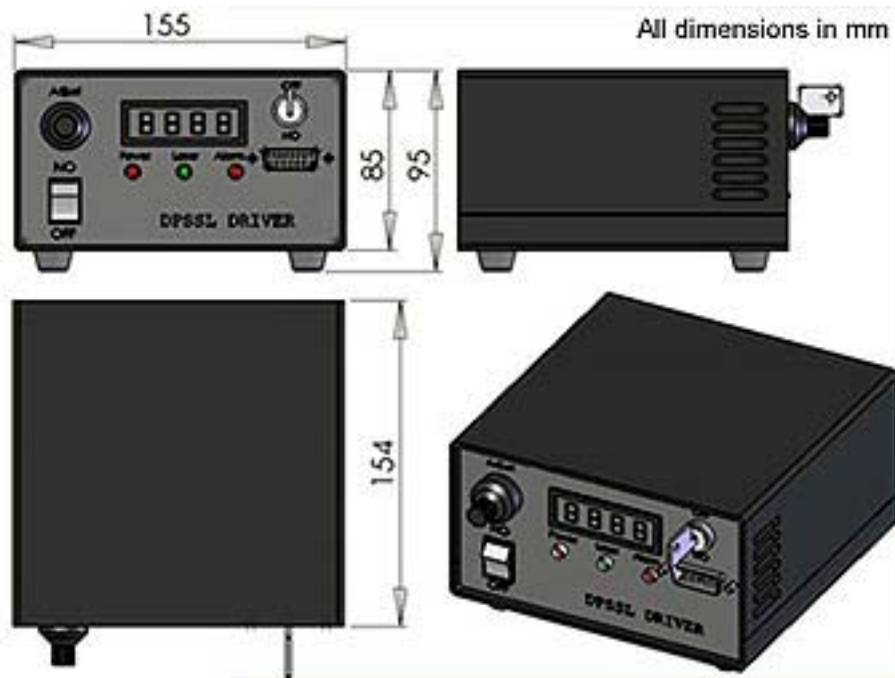




PSU-LED power supply



154 x 155 x 95 mm³, 1.5 kg

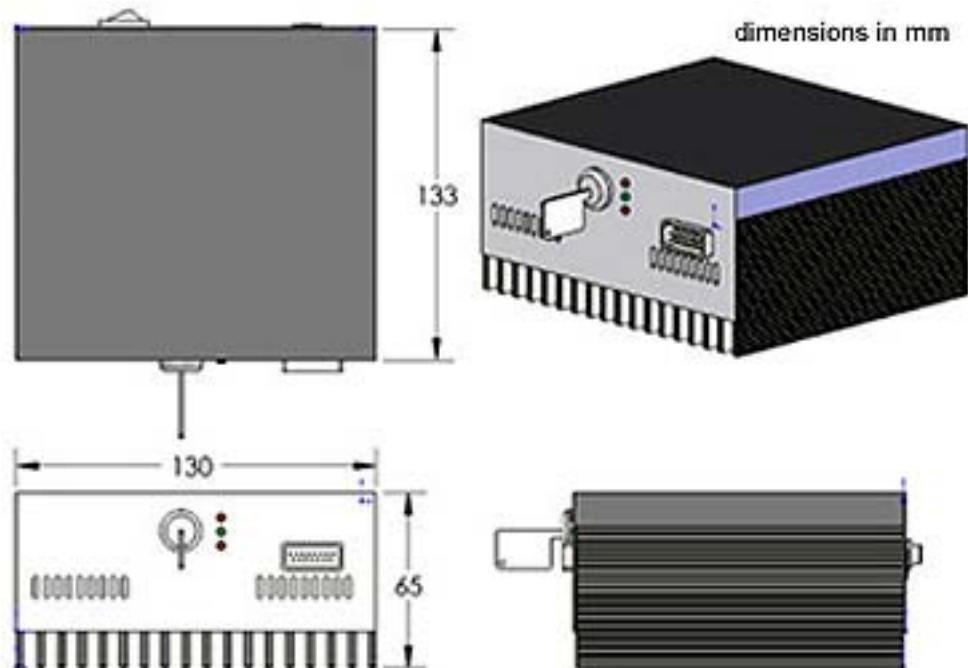




PSU-FDA power supply

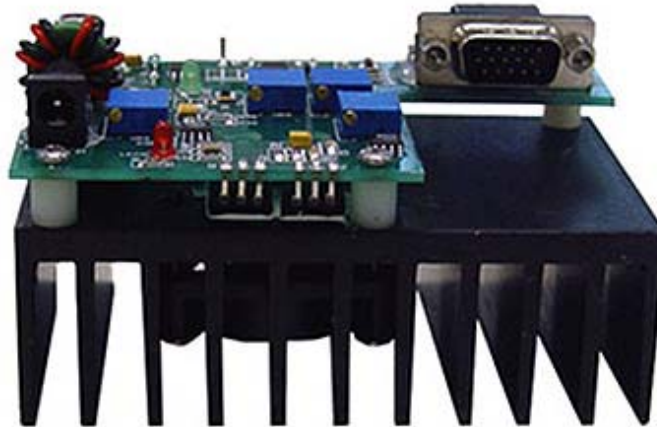


133 x 130 x 65 mm³, 1.2 kg

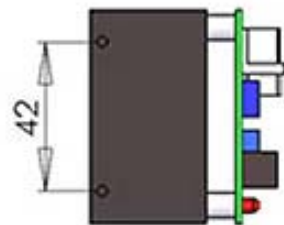
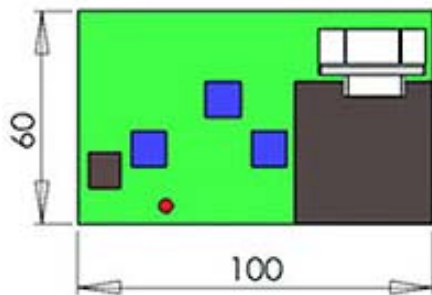
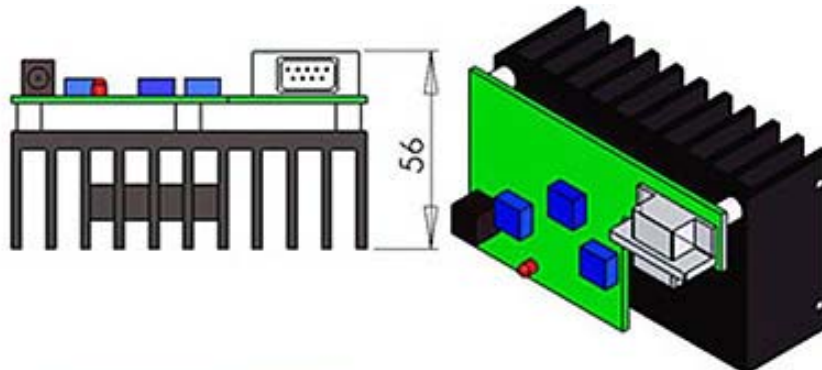




PSU-OEM power supply



100 x 60 x 56 mm³, 0.2 kg



All dimensions in mm