



RLTMBL-H-473 200-500 mW

Blue Diode Pumped Solid State Laser

All solid state 473 nm blue laser featuring compact size, long lifetime, low cost, and easy operatability, which is widely used for experiments, fluorescence sensors, Raman spectrum, laser printing, holography, laser display, submarine communication, biomedicine, laser lighting show, etc.



Specifications	
Wavelength	473 ±1 nm
Output Power	200 - 500 mW
Transverse Mode	Near TEM ₀₀
Operating Mode	CW
Power Stability (rms, over 4 hours)	< 3%, < 5%, < 10%
Warm-up time	< 10 min
M ² factor	< 2.0
Beam Divergence (full angle)	< 1.5 mrad
Beam Diameter (at the aperature)	~ 3.0 mm
Beam Height (from base plate)	29 mm
Polarization ratio	> 100:1
Pointing stability after warm up	< 0.05
Noise of amplitude (rms, 1 - 20Mhz)	~ 30%
Operating Temperature	10 - 35 °C
Power Supply (90-260VAC)	PSU-FDA (included)
Expected Lifetime	10000 hours
Warranty period	1 year

Options	
PSU-LED (90-260VAC)	Power supply featuring adjustable ouptut power and current display
PSU-OEM	DC power supply for system integration
TTL modulation	1-30 kHz
Analog modulation	1-30kHz, 0-5V
Fiber coupling	Multi mode/single mode fiber, SMA-905/FC connector



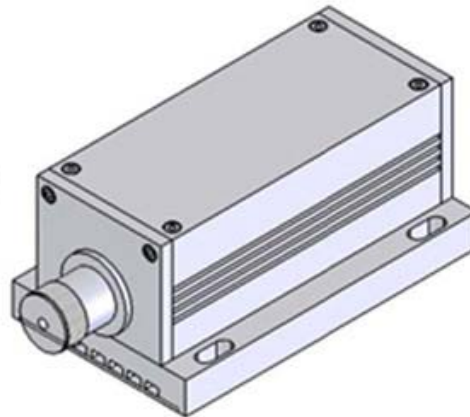
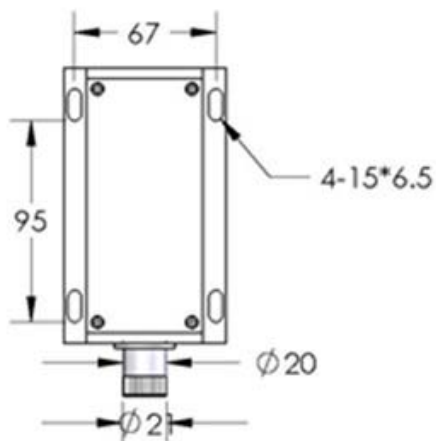
LASER RADIATION
AVOID DIRECT EXPOSURE TO BEAM
DO NOT STARE INTO BEAM
NEVER VIEW THROUGH OPTICAL INSTRUMENTS



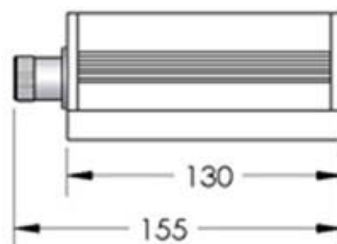
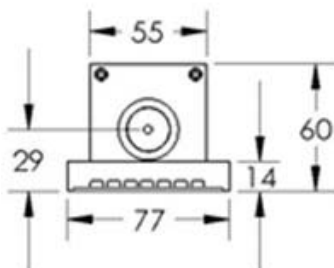
RLTMLL laser head



155 x 77 x 60 mm³, 0.9 kg



All dimensions in mm

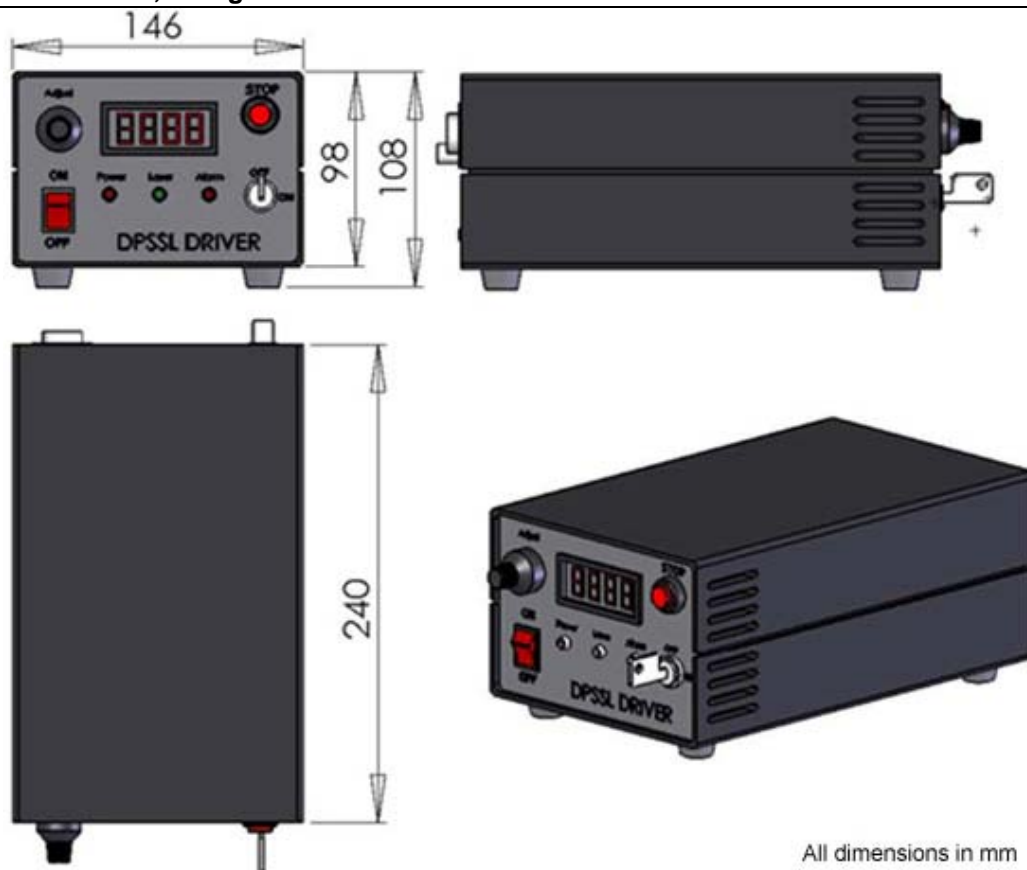




PSU-LED power supply



240 x 146 x 108 mm³, 2.6 kg

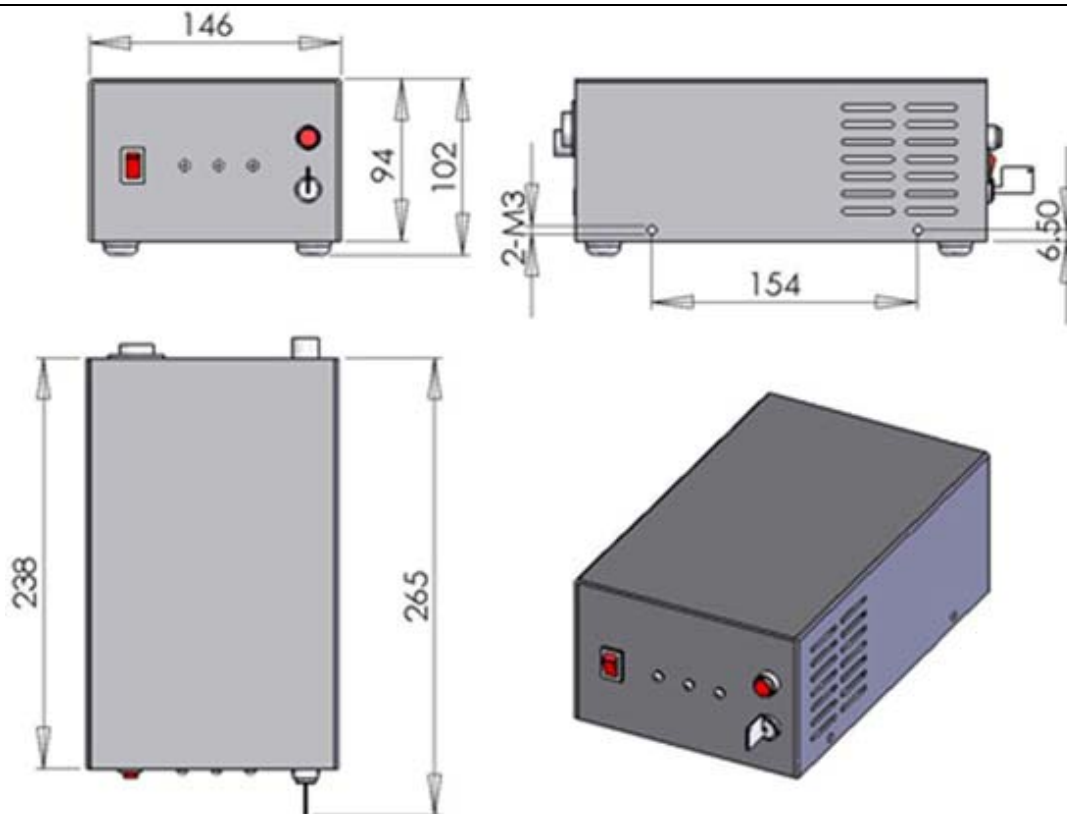




PSU-FDA power supply



238 x 146 x 102 mm³, 2.3 kg

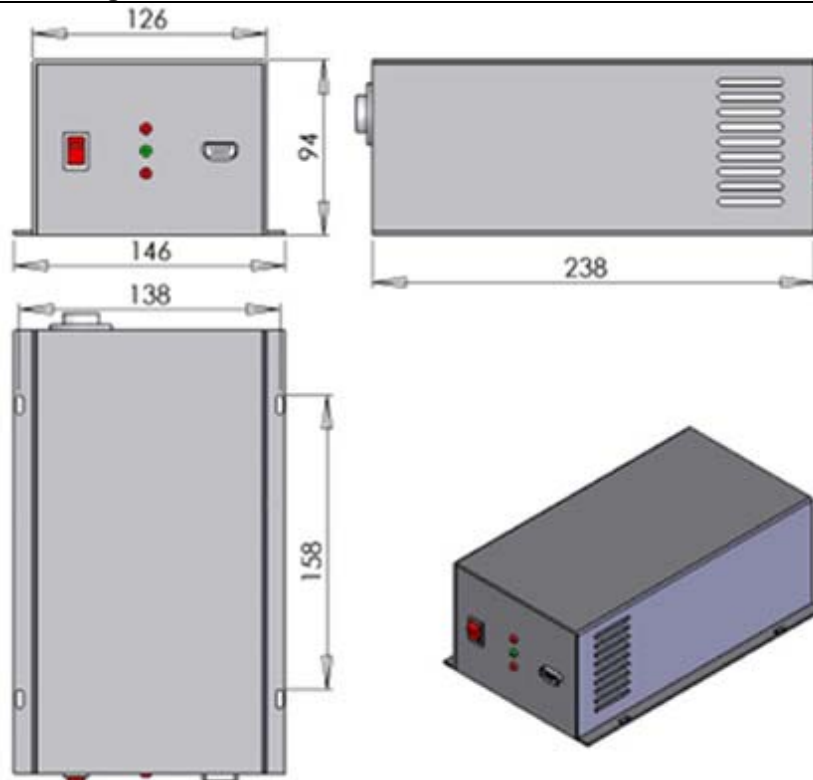




PSU-OEM power supply



238 x 146 x 94 mm³, 2.2 kg



All dimensions in mm