



## RLTMLL-532 1.5-3 W

LOW NOISE LASER



## Yellow Diode Pumped Solid State Laser

All solid state 532 nm green low noise laser featuring compact size, long lifetime, and low cost, and easy operatability, which is widely used in collimation, laser medical treatment, scientific experiments, optical instruments, etc.



Specifications	
Wavelength	532 ±1 nm
Output Power	1500 - 3000 mW
Transverse Mode	Near TEM <sub>00</sub>
Operating Mode	CW
Power Stability (rms, over 4 hours)	< 1%, < 3%, 5%
Warm-up time	< 15 min
M <sup>2</sup> factor	<2.0
<b>Noise of Amplitude (rms, 1 – 20Mhz)</b>	<b>&lt; 1%</b>
Beam Divergence (full angle)	< 2.0 mrad
Beam Diameter (at the aperature)	~ 3.0 mm
Beam Height (from base plate)	45 mm
Polarization ratio	> 100:1
Operating Temperature	10 - 35 °C
<b>Power Supply (90-260VAC)</b>	<b>PSU-FDA (included)</b>
Expected Lifetime	10000 hours
<b>Warranty period</b>	<b>1 year</b>

Options	
Fiber coupling	Multi mode/single mode fiber, SMA-905/FC connector



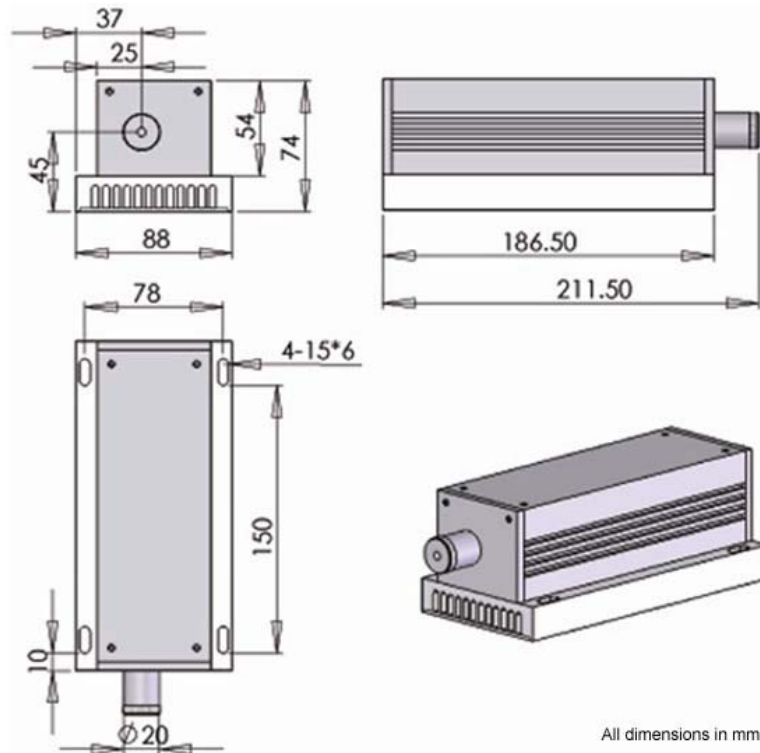
**LASER RADIATION**  
AVOID DIRECT EXPOSURE TO BEAM  
**DO NOT STARE INTO BEAM**  
NEVER VIEW THROUGH OPTICAL INSTRUMENTS



## Laser head



211 x 88 x 74 mm<sup>3</sup>, 1.6 kg



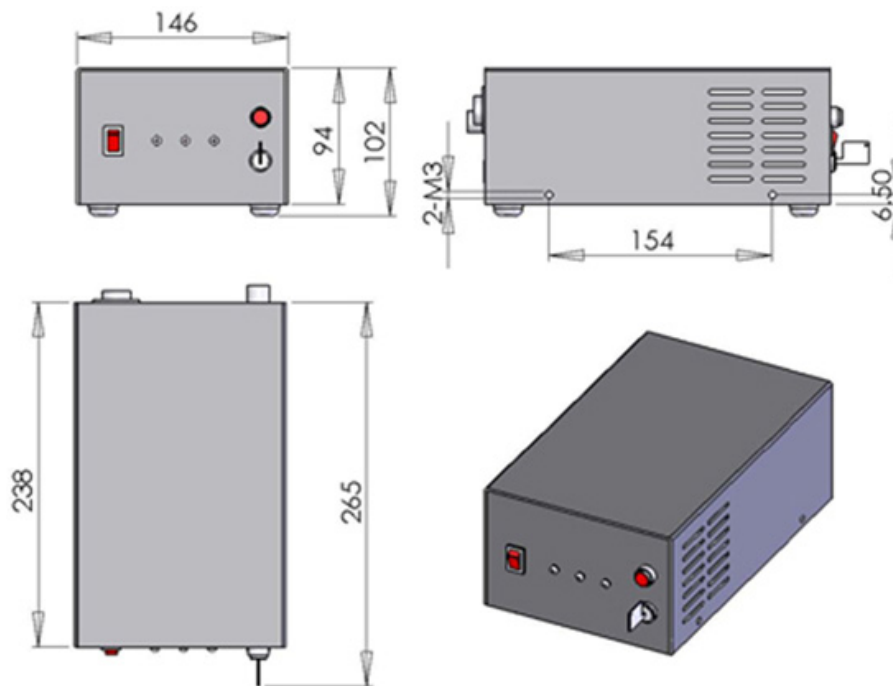
All dimensions in mm



## PSU-FDA power supply



238 x 146 x 102 mm<sup>3</sup>, 2.3 kg



all dimensions in mm