



RLTMRL-671 3-5W



Green Diode Pumped Solid State Laser

All solid state 671nm high power laser featuring of compact size, long lifetime, and low cost, which is widely used for DNA sequencing, flow cytometry, cell sorting, chip inspection, holograpy, spectrum analysis, etc.



Specifications	
Wavelength	671 ±1 nm
Output Power	3 - 5 W
Transverse Mode	Near TEM ₀₀
Operating Mode	CW
Power Stability (rms, over 4 hours)	< 1%, < 3%, < 5%, <10%
Warm-up time	< 10 min
M ² factor	3.0 – 6.0
Beam Divergence (full angle)	< 2.0 mrad
Beam Diameter (at the aperature)	~ 4.0 mm
Beam Height (from base plate)	93.5 mm
Polarization ratio	> 100:1
Operating Temperature	10 - 35 °C
Power Supply (90-260VAC)	PSU-FDA (included)
Expected Lifetime	10000 hours
Warranty period	1 year

Options	
PSU-LED	Adjustable output power supply with current display
TTL/Analog modulation	Up to 30 KHz
Fiber coupling	Multi mode/single mode fiber, SMA-905/FC connector



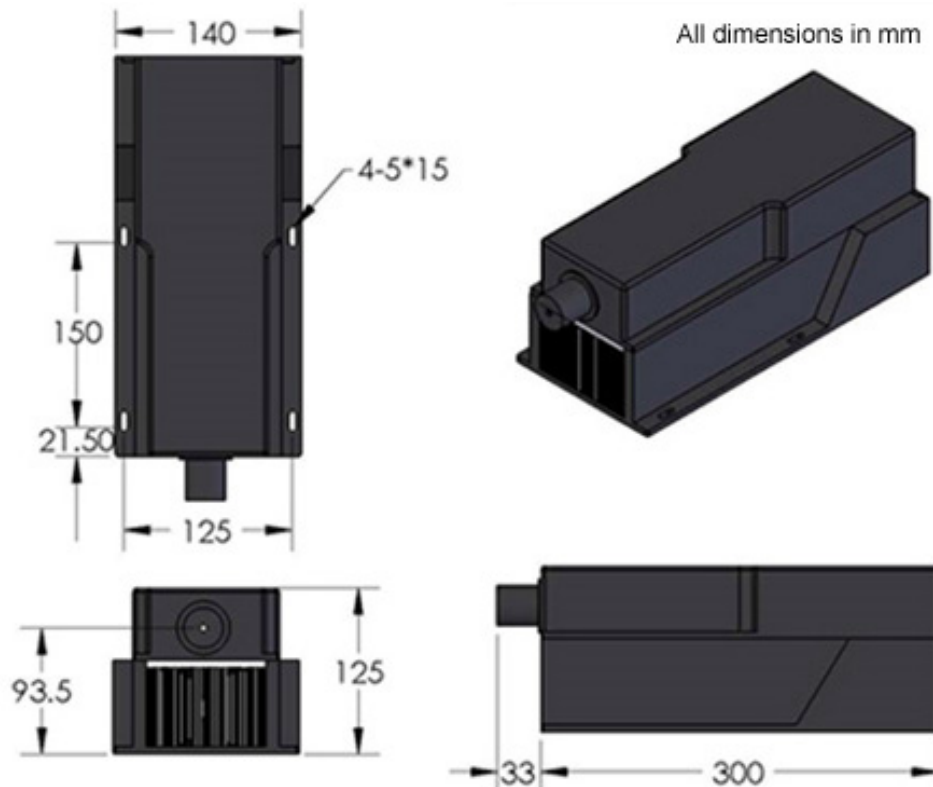
LASER RADIATION
AVOID DIRECT EXPOSURE TO BEAM
DO NOT STARE INTO BEAM
NEVER VIEW THROUGH OPTICAL INSTRUMENTS



RLTMGL laser head



333 x 140 x 125 mm³, 6.1 kg

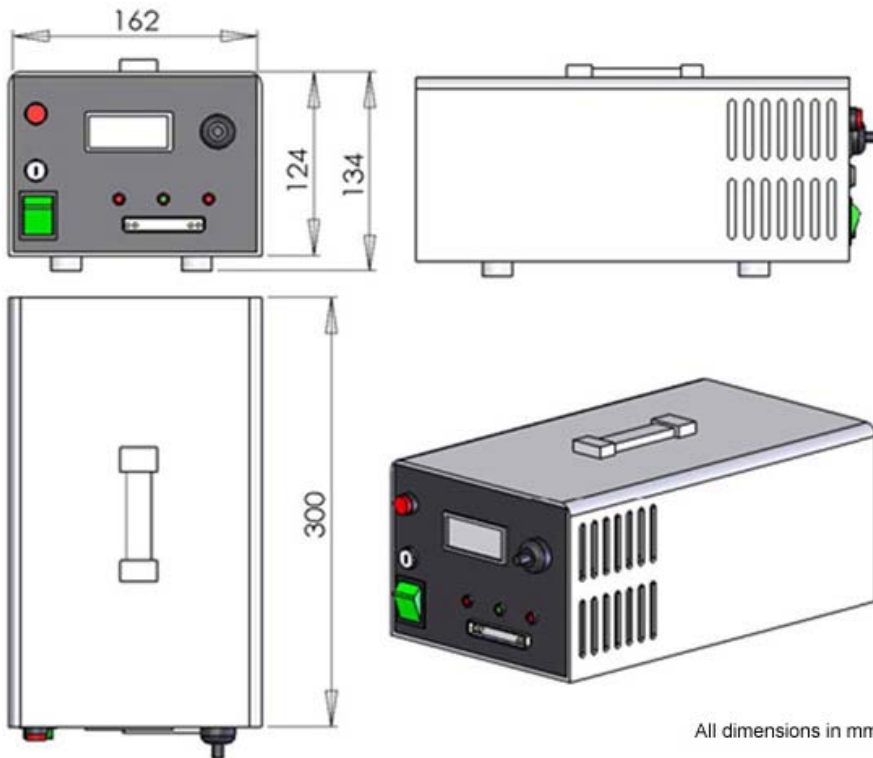




PSU-LED power supply



300 x 162 x 134 mm³, 5.2 kg





PSU-FDA power supply



307 x 168 x 123 mm³, 5.1 kg

