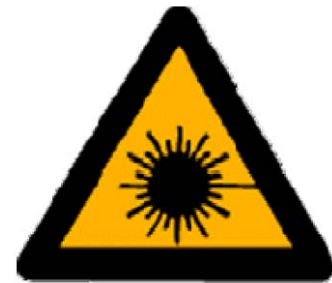




## RLTMSL-671 / 1~50 mW

### LD PUMPED ALL-SOLID-STATE SINGLE LONGITUDINAL MODE RED LASER

All solid state single longitudinal mode green laser at 671nm is made features of ultra compact, long lifetime, low cost and easy operating, which is used in DNA sequencing, flow cytometry, cell sorting, optical instrument, spectrum analysis, interference, measurement, holography, laser printing, chip inspection, physics experiment, etc.



### SPECIFICATIONS

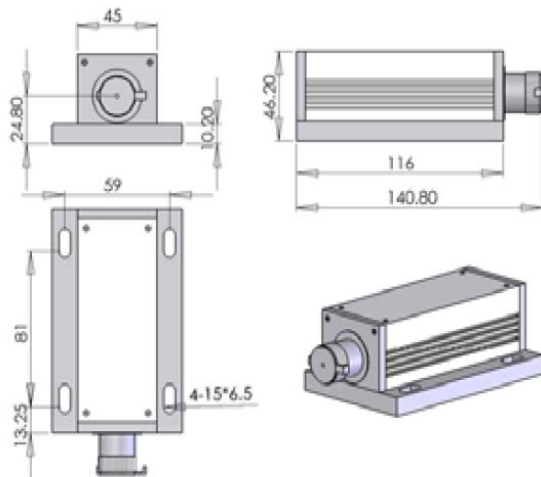
|   |                             |
|---|-----------------------------|
| Wavelength (nm)                         | 671                         |
| Output power (mW)                       | >1, 5, 15, 20, ... ,50      |
| Transverse mode                         | TEM <sub>00</sub>           |
| Longitudinal mode                       | Single                      |
| Operating mode                          | CW                          |
| Power stability (rms, over 4 hours)     | <1%, <3%, <5%               |
| Warm-up time (minutes)                  | <15                         |
| M <sup>2</sup> factor                   | <1.2                        |
| Beam divergence, full angle (mrad)      | <1.5                        |
| Beam diameter at the aperture (mm)      | ~2.0                        |
| Beam height from base plate (mm)        | 24.8                        |
| Spectral linewidth (nm)                 | <0.0001                     |
| Polarization ratio                      | >50:1 (45 degree)           |
| Pointing stability after warm-up (mrad) | <0.05                       |
| Noise of amplitude (rms, 1~20MHz)       | <0.5%                       |
| Coherent length (m)                     | >50                         |
| Operating temperature (°C)              | 15~35                       |
| Power supply (90-264VAC)                | PSU-FDA   PSU-OEM           |
| Modulation                              | Modulation isn't available. |
| Expected lifetime (hours)               | 10000                       |
| Warranty                                | 1 year                      |



## MxL-671



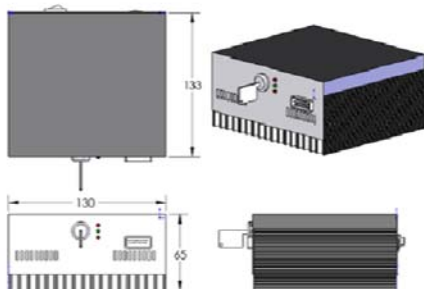
140.8(L)×73(W)×46.2(H) mm<sup>3</sup>, 0.6 kg



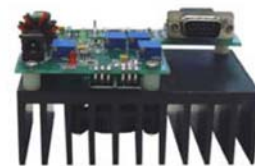
## PSU-FDA



133 (L) ×130(W) ×65 (H) mm<sup>3</sup>, 1.2 kg



## PSU-OEM



100 (L) ×60(W) ×56 (H) mm<sup>3</sup>, 0.2 kg

