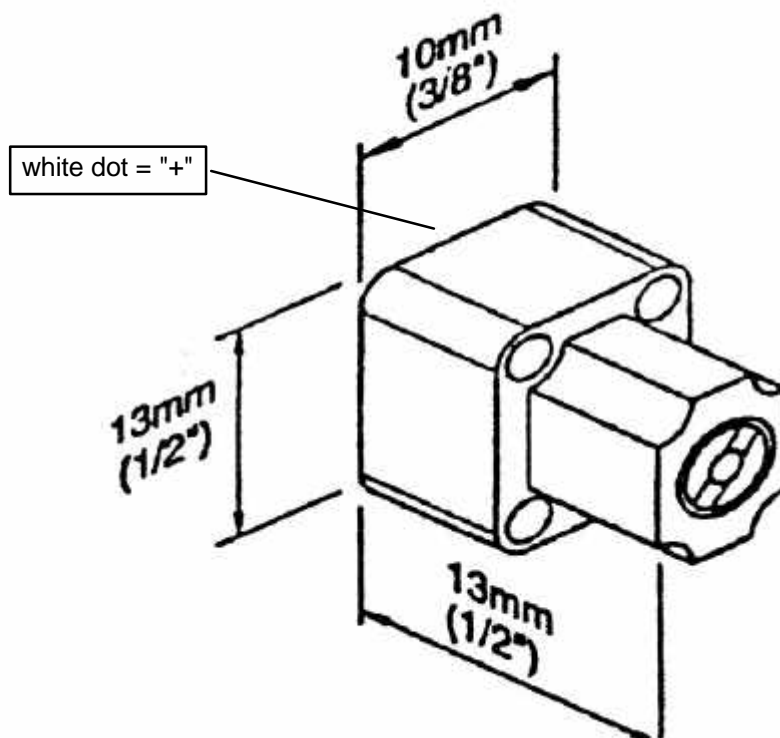


LASERDIODENMODULE TYPE LDM-1

Specifications	LDM-1A	LDM-1B	LDM-1C	LDM-1D
Outputpower	< 1 mW	< 5 mW	< 1 mW	< 5 mW
Wavelength	670 +/-10 nm	670 +/-10 nm	635 +/-10 nm	635 +/-10 nm
Laser Class	2	3 A	2	3 A
Spot Size	< 15 mm @ 5 m	< 15 mm @ 5 m	< 15 mm @ 5 m	< 15 mm @ 5 m
Divergence	< 1 mrad	< 1 mrad	< 1 mrad	< 1 mrad
Laser Type	Diode	Diode	Diode	Diode
Weight	3 g	3 g	3 g	3 g
Base	13 x 10 mm ²	13 x 10 mm ²	13 x 10 mm ²	13 x 10 mm ²
Height	13 mm	13 mm	13 mm	13 mm
Supply Voltage	3 VDC	3 VDC	3 VDC	3 VDC
Supply Current	< 50 mA	< 50 mA	< 50 mA	< 50 mA



ACHTUNG! Beachten sie die Sicherheitsvorschriften laut IEC 825-1

ROITHNER LASERTECHNIK