



LDA-90

- Laser Diode Assembly
- 9.0 mm TO-Can
- Focusable Acrylic Lens
- Brass, black burnished



Description

LDA-90 is a complete laser diode assembly, suitable for standard 9.0 mm TO-Can laser diodes. It features focusable acrylic collimating lens and laser diode mounting flange with threaded latching. Made from black burnished brass, and tooled on high precision CNC machinery, **LDA-90** offers excellent dimensional accuracy and axial alignment.

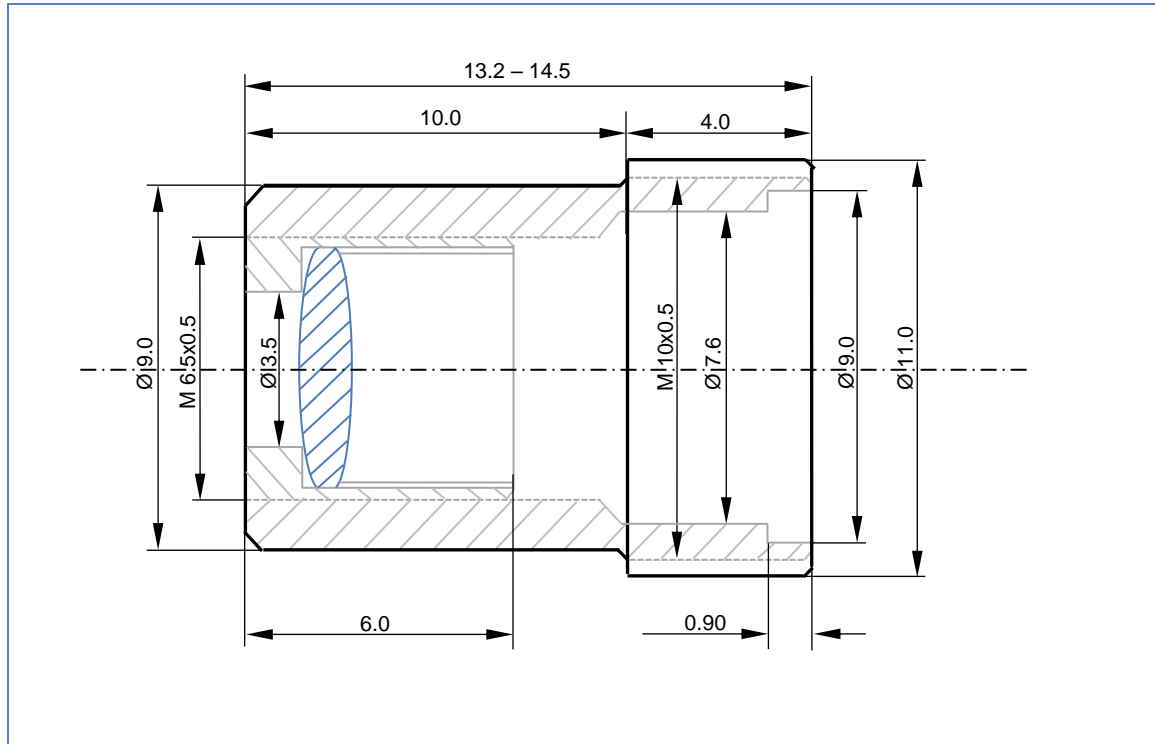


Specifications

Parameter	Symbol	Values	Unit
Focus Length	f	6.5	mm
Back Focus Length	f _B	4.9	mm
AR-coating		uncoated	
Dimensions		Ø11 x 14	mm
Material Housing		Brass, black burnished	
Material Lens		Acryl	
Weight		5	g



Drawing



All dimensions in mm (ISO g7)

© All Rights Reserved

The above specifications are for reference purpose only and subjected to change without prior notice