



SMB-LENS

- Taped lens for SMB series
- FWHM: 10°
- Optic material: PMMA
- Dimension: Ø16.1 x 10.9 mm



Description

SMB-LENS is a taped lens designed and optimized for LEDs of SMB1N and SMB1W series. The round white holder made of PC contains a PMMA lens with high UV and temperature resistance (105°C), and a FWHM of about 10°.

To install the lens, it can be easily taped on a PCB or heat sink with a PU foam adhesive tape of automotive grade.

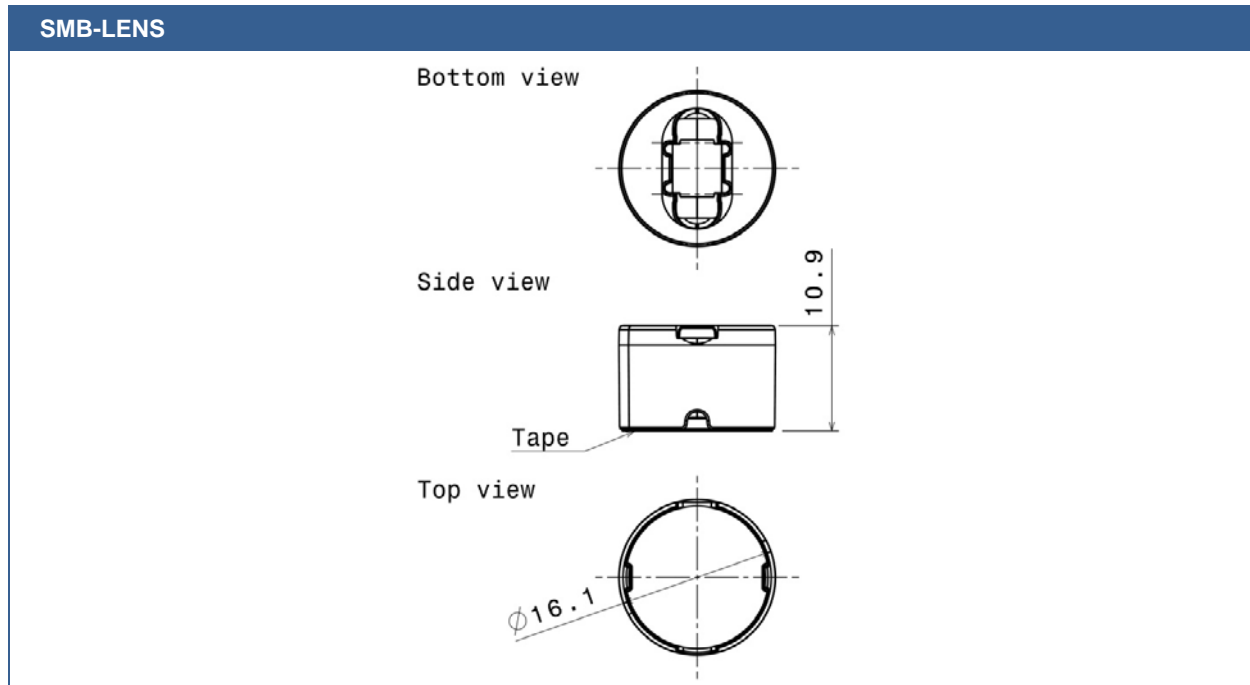
Specifications

Parameter	Symbol	Values	Unit
FWHM		10	degrees
Material	Lens	PMMA	
	Holder	PC	
	Tape	PU Foam	
Diameter		16.1	mm
Height		10.9	mm
Weight		1.8	g
Color		White	

NOTE: The typical divergence will be changed by different color, chip size and chip position tolerance. The typical total divergence is the full angle measured where the luminous intensity is half of the peak value.



Drawing



All Dimensions in mm

Precautions

Mounting:

We advise customer to ensure the suitability and sufficiency of the bond in the end product. For example, mechanical stress, vibration and holes on the surface of the circuit board weaken the strength of the tape.

Assembly to the surface must be made straight, so the tape bonds constant and balanced with fastening surface. Slanted assembly might cause unbalanced bond to the surface. All surfaces where tape is applied must be clean, dry and free from grease and dirt.

Cleaning:

Cleaning with only micro fiber cloth is recommended to remove fingerprints or other traces from handling.

DO NOT USE any chemicals