



RLS-B465

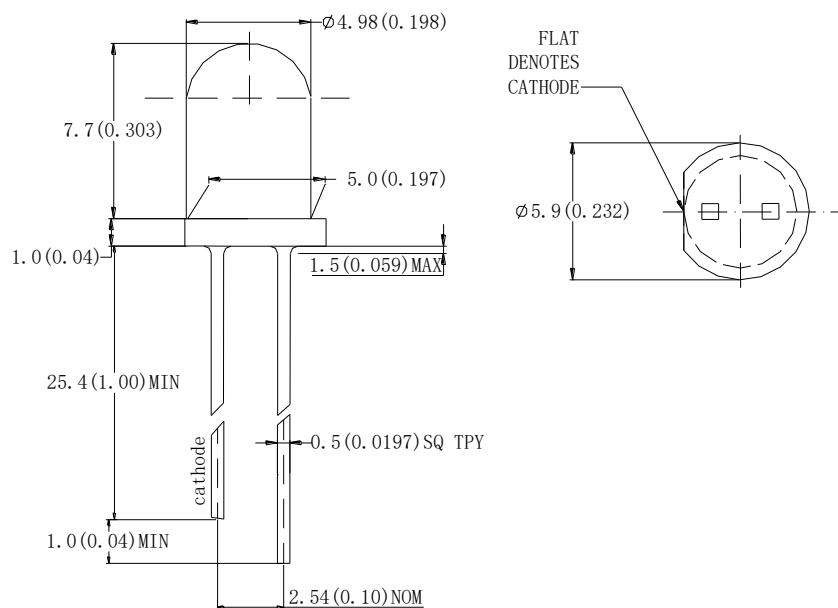
Typical Optical/electrical Characteristics (Ta=25°C)

Item	Symbol	Min.	Max.	Condition	Unit
Forward Voltage	VF	3.0	3.4	IF=20mA	V
Luminous Intensity	Iv	7000	9000	IF=20mA	mcd
Peak Wavelength	λ_p	464	470	IF=20mA	nm
View Angle	2 θ	25±5		IF=20mA	deg
Reverse Current	Ir	0	3	Vr=5V	uA

Absolute Maximum Rating

Item	Symbol	Absolute Maximum Rating	Unit
Reverse Voltage	VR	5	V
Forward Current	IF	20	mA
Peak Forward Current(Pulse Width≤10msec duty≤1/10)	IFP	100	mA
Power dissipation	PD	60	MW
Operation Temperature	Topr	-25~+80	°C
Storage Temperature	Tstg	-40~+80	°C
Lead Soldering Temperature (3mm from the base of the epoxy bulb)	Tsol	Max.260°C for5sec max	

Package Dimensions



Tolerance Grade(mm)	0.5-7	>7-30
Medium(mm)	±0.1	±0.2



Reliability Performance

Test Item	Test Conditions	Test Duration	Sample Size	AC/RE
Room Temperature DC Operating Life Test	Ta=25°C±5°C, IF=20mA	1000hrs	50pcs	0/1
High/Low Temperature Storage	100°C/-40°C	1000hrs	50pcs	0/1
High Temperature/High Humidity Test	Ta=60°C RH=85% IF=20mA	1000hrs	50pcs	0/1
Temperature Cycle Test	-40°C/30min~ 25°C/5min~ 100°C/30min~25°C	50cycles	50pcs	0/1
Thermal Shock Test	-40°C/30min~ 100°C/30min	50cycles	50pcs	0/1
Resistance to Soldering Heat	Ta=250°C±5°C	5sec.	50pcs	0/1

Notes:

- 1.Recommend Forward Current 10mA-20 mA.
- 2.Tolerance of measurement of forward voltage±0.05.
- 3.Tolerance of measurement of luminous intensity±15%.
- 4.Tolerance of measurement of peak wavelength±0.5nm.

© All Rights Reserved

The above specifications are for reference purpose only and subjected to change without prior notice