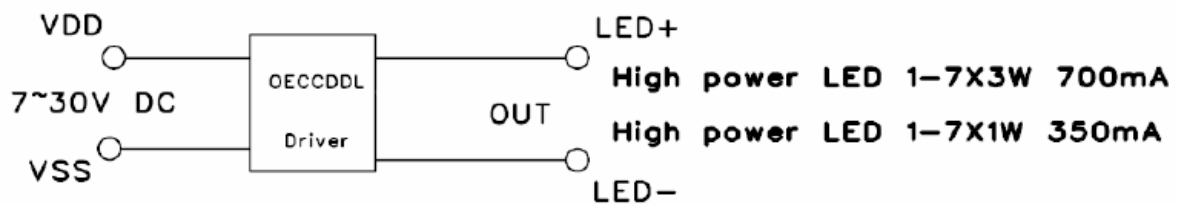
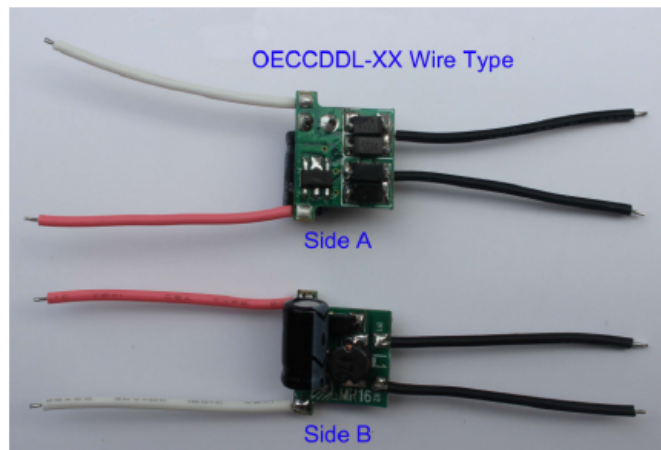


## CDDL Current Driver

### Features:

- Slim Size with T-shape 18mm(13.8mm) (Length)\* 13mm (Width) (not include 40mm input wires) \* 13mm (Height for both side components)
- Self adapting output voltage to suit for wide range Vf LED (Vf = 3.2V typ.).
- Input voltage suitable for 7~30V DC
- Output short circuit protection
- Self over temperature protection
- High conversion efficient (up to 90%)
- Weight 3g approximate



### Maximum Rating:

| Parameter                   | Symbol    | Value     | Units |
|-----------------------------|-----------|-----------|-------|
| Supply Voltage              | $V_{in}$  | 30        | V     |
| Max Operation Current       | $I_{max}$ | 1         | A     |
| Operation Temperature Range | $T_{op}$  | -10 to 50 | °C    |
| Storage Temperature         | $T_{stg}$ | -20 to 85 | °C    |

### Electrical Characteristics (@TA=25°C):

| PN.         | Input (V) DC |     |     | Output (V) DC<br>** Note1 ** |      | Constant Current (mA) |
|-------------|--------------|-----|-----|------------------------------|------|-----------------------|
|             | Min          | Typ | Max | Min                          | Max  |                       |
| OECCDDL-300 | 7            | --  | 30  | 3                            | 26.5 | 300                   |
| OECCDDL-350 | 7            | --  | 30  | 3                            | 26.5 | 350                   |
| OECCDDL-450 | 7            | --  | 30  | 3                            | 26.5 | 450                   |
| OECCDDL-600 | 7            | --  | 30  | 3                            | 26.5 | 600                   |
| OECCDDL-700 | 7            | --  | 30  | 3                            | 26.5 | 700                   |

### Note:

1) Output Voltage  $\leq$  Input Voltage - 3V

(depend on loading)