



ROITHNER LASERTECHNIK GmbH

WIEDNER HAUPTSTRASSE 76
TEL. +43 1 586 52 43 -O. FAX. -44

1040 VIENNA
OFFICE@ROITHNER-LASER.COM

AUSTRIA



LAPD-2-06-17-LCC

- InGaAs PIN Photodiode
- Ø 1.9 mm active area
- 0.6 – 1.7 µm spectral range
- Low Dark Current
- High Responsivity



Description

LAPD-2-06-17-LCC is an InGaAs PIN photodiode with an active area diameter of **1.9 mm**, offering a very low dark current and excellent spectral sensitivity range from 0.6 to 1.7 µm. **LAPD-2-06-17-LCC** comes in a hermetically sealed **8CLCC Package** with flat glass window. It is widely used for spectral analysis, power monitoring, SWIR camera, light detection, and LIDAR applications.

Absolute Maximum Ratings

Parameter	Symbol	Value	Unit
Reverse Voltage	V_R	10	V
Reverse Current	I_R	2	mA
Forward Current	I_F	5	mA
Operating Temperature	T_{OPR}	- 40 + 85	°C
Storage Temperature	T_{STG}	- 40 + 85	°C
Soldering Temperature (max. 5s)	T_{SOL}	max. 260	°C



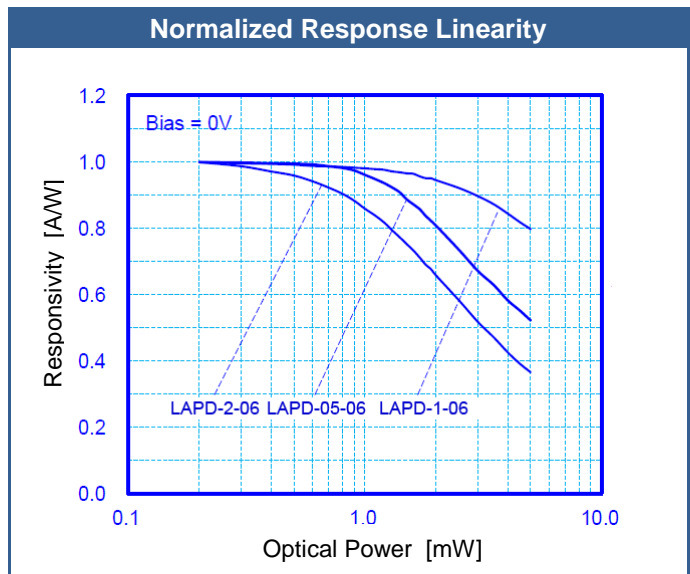
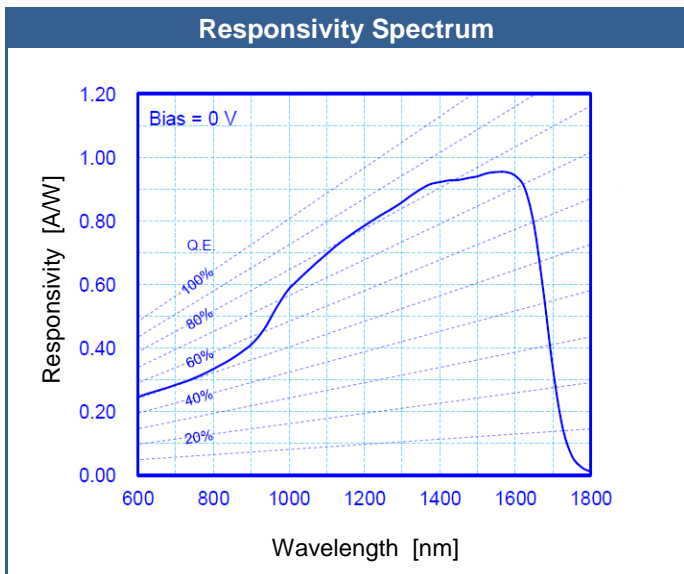
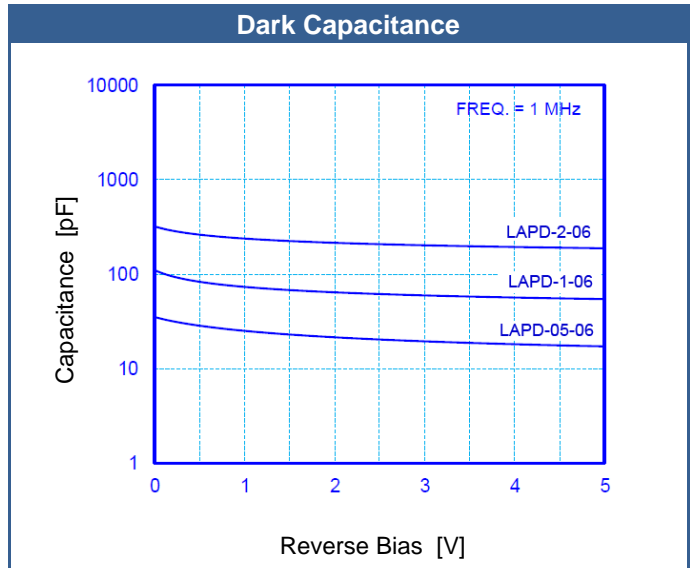
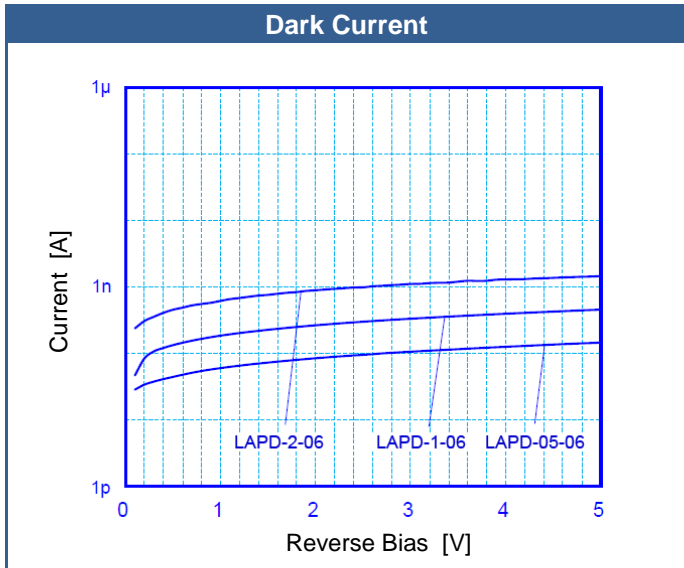
Electro-Optical Characteristics ($T_{CASE} = 23^\circ\text{C}$)

Parameter	Symbol	Condition	min.	typ.	max.	Unit
Spectral Range	λ		0.6		1.7	µm
Aperture Diameter	\varnothing			1850		µm
Peak Sensitivity	λ_P	$V_R=0\text{ V}$		1.55		µm
Dark Current	I_D	$V_R=5\text{ V}$		10	20	nA
Shunt Resistance	R_{SH}	$V_R=10\text{ mV}$	5	20		MΩ
Capacitance	C_J	@ 1 MHz, $V_R=0\text{ V}$		400	800	pF
		@ 1 MHz, $V_R=5\text{ V}$		200	400	pF
3dB Bandwidth		$V_R=5\text{ V}$ (50Ω)	8	15		MHz
Responsivity	S_λ	0.65 µm, 0 V	0.20	0.25		A/W
		0.85 µm, 0 V	0.35	0.40		A/W
		1.30 µm, 0 V	0.80	0.85		A/W
		1.55 µm, 0 V	0.85	0.90		A/W
Saturation Power*	P_S	1.55 µm, 0 V, -0.2 dB	0.2	0.5		mW
Noise Equivalent Power	NEP	1.55 µm, 0 V, 1 KHz		6	12	$10^{-14}\text{ W}/\sqrt{\text{Hz}}$

* measured at the aperture with an $1/e^2$ beam diameter of 250 µm



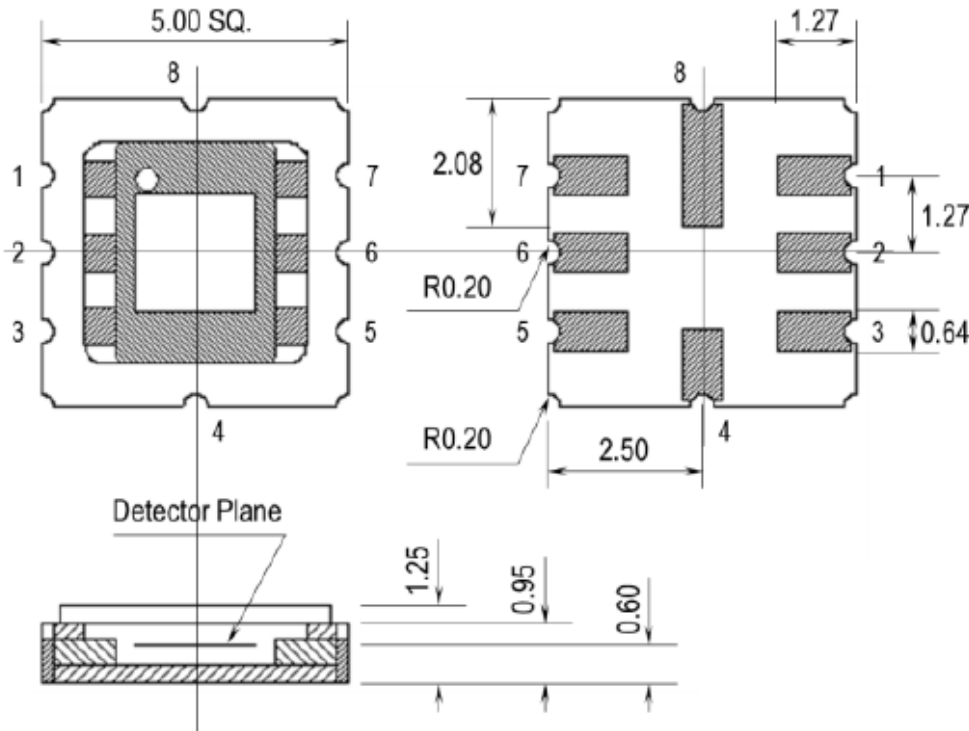
Performance Characteristics ($T_{CASE} = 23^{\circ}C$)





Outline Dimensions

8CLCC



1,3,5,7	N.C.
4,8	CATHODE
2,6	ANODE

All dimensions in mm

© All Rights Reserved

The above specifications are for reference purpose only and subjected to change without prior notice