



## PD43-05 series

- Mid-IR PD Series
- Max. Sensitivity: 3.55 – 4.15  $\mu\text{m}$
- Sensitive Area Diameter:  $\varnothing$  0.5 mm



### Description



**PD43-05 series** are fabricated from narrow band-gap InAsSb/InAsSbP-based heterostructures lattice matched to InAs substrate. The maximum sensitivity wavelength is specified with 3.55 – 4.15  $\mu\text{m}$  and a cut-off wavelength at 4.5 – 4.7  $\mu\text{m}$ . The photodiode chip has a photosensitive area of  $\varnothing$  0.5 mm and can be mounted into different options of packages. You can choose between TO-can, with additional parabolic reflector (R), window (W), containing thermoelectric cooler and thermoresistor (T), and as aluminum tube with built-in preamplifier.

### Maximum Ratings

Parameter	Symbol	Values		Unit
		Min.	Max.	
Operating Temperature *1	$T_{CASE}$	-60	+ 90	$^{\circ}\text{C}$
Storage Temperature *1	$T_{STG}$	-60	+ 90	$^{\circ}\text{C}$
Lead Solder Temperature *2	$T_{SLD}$		+ 180	$^{\circ}\text{C}$

\*1 Temperature range may vary for different packaging types.

\*2 must be completed within 5 seconds

### Photodiode Characteristics ( $T_{CASE}=25^{\circ}\text{C}$ )

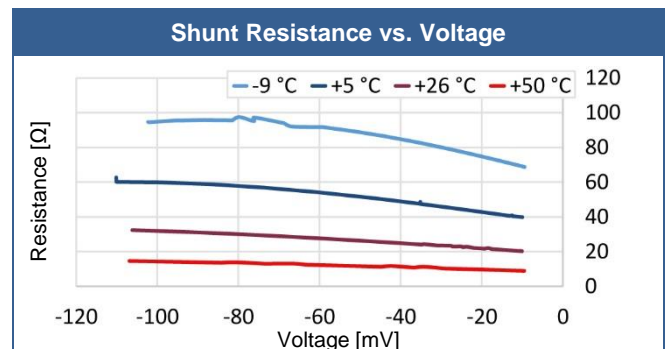
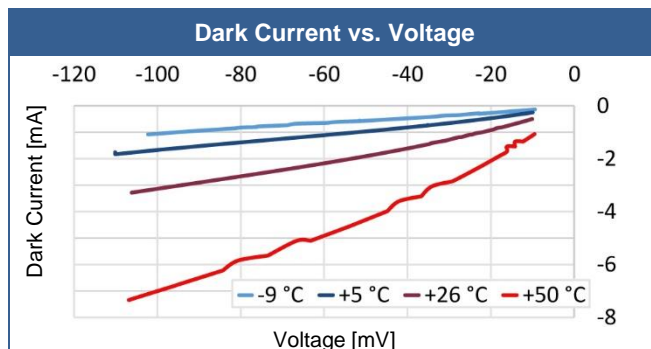
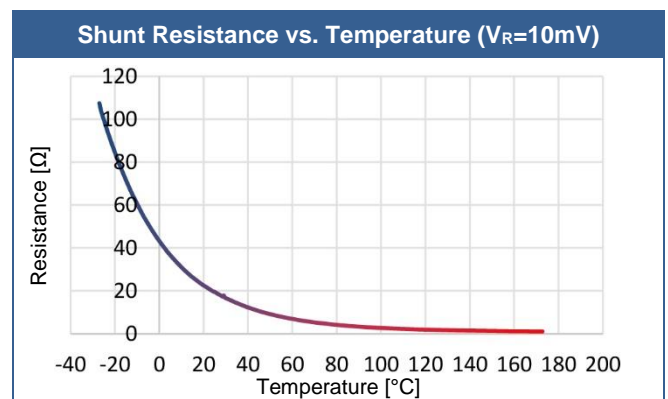
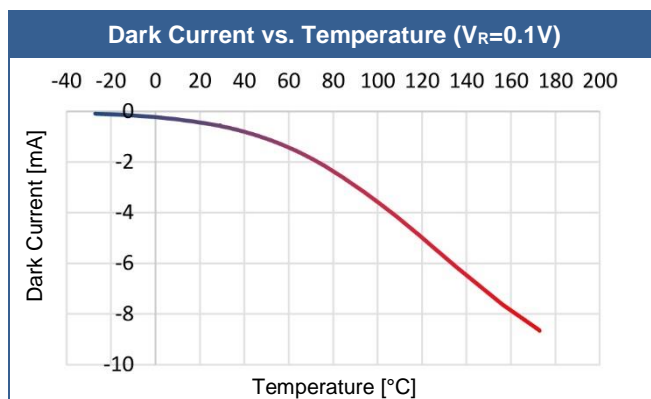
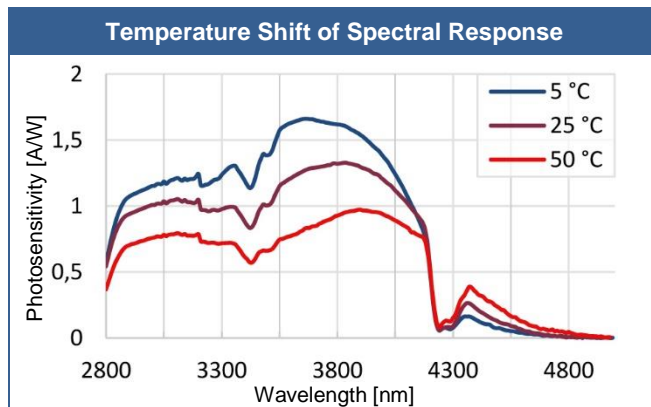
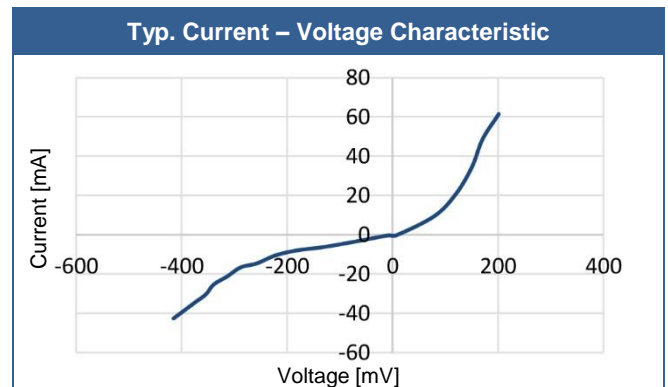
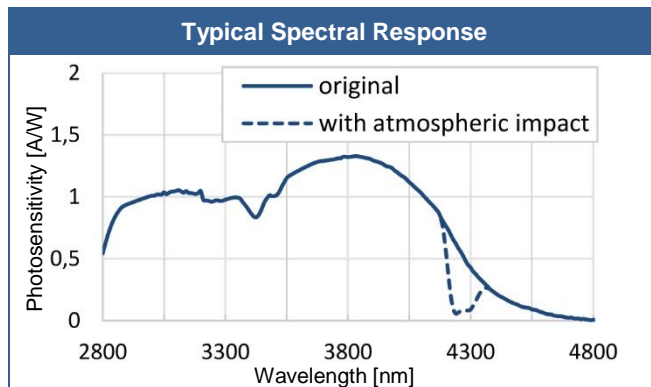
Parameter	Symbol	Conditions	Values			Unit
			Min.	Typ.	Max.	
Sensitive Area Diameter	$D$			0.5		mm
Cut-off Wavelength (at 10%)	$\lambda_{cut}$		4.5		4.7	$\mu\text{m}$
Max. Sensitivity Wavelength (at 80%)	$\lambda_P$		3.55		4.15	$\mu\text{m}$
Reverse Voltage	$V_R$				0.1	V
Dark Current	$I_D$	$V_R=0.1\text{V}$		4	5	mA
Shunt Resistance	$R_{SH}$	$V_R=10\text{mV}$	12	17		$\Omega$
Capacitance	$C$	$V_R=10\text{mV}$				pF
Sensitivity	$S$	$\lambda=4.0\mu\text{m}$	1.0	1.1		A/W
Noise Equivalent Power	$NEP$	$\lambda=4.0\mu\text{m}$		$2.8 \cdot 10^{-11}$	$3.7 \cdot 10^{-11}$	$\text{W}/\sqrt{\text{Hz}}$
Detectivity	$D^*$	$\lambda=4.0\mu\text{m}$	$1.1 \cdot 10^9$	$1.5 \cdot 10^9$		$\text{cm} \cdot \sqrt{\text{Hz}} \cdot \text{W}^{-1}$

### Package Options

Part Number	Description
PD43-05	TO-18 with cap without glass window
PD43-05R	TO-18 with parabolic reflector without glass window
PD43-05RW	TO-18 with parabolic reflector with glass window
PD43-05TW	TO-5 with built-in thermocooler and thermoresistor, covered by cap with glass window
PD43-05TRW	TO-5 with built-in thermocooler and thermoresistor, covered by parabolic reflector with glass window
PD43-05R-AMP	PD with built-in preamplifier; TO-18 with parabolic reflector without window in an aluminum tube
PD43-05RW-AMP	PD with built-in preamplifier; TO-18 with parabolic reflector with window in an aluminum tube

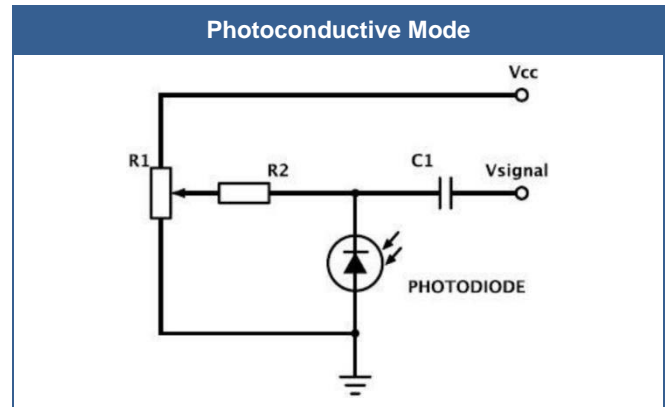
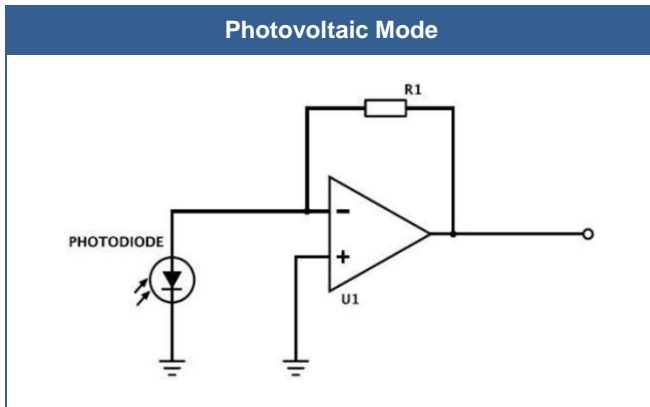


## Performance Characteristics





## Recommended Modes of Photodiode Operation



We recommend using **photovoltaic mode** when the PD is not used in reverse bias. Use photoconductive mode (mode with reverse bias) with caution!

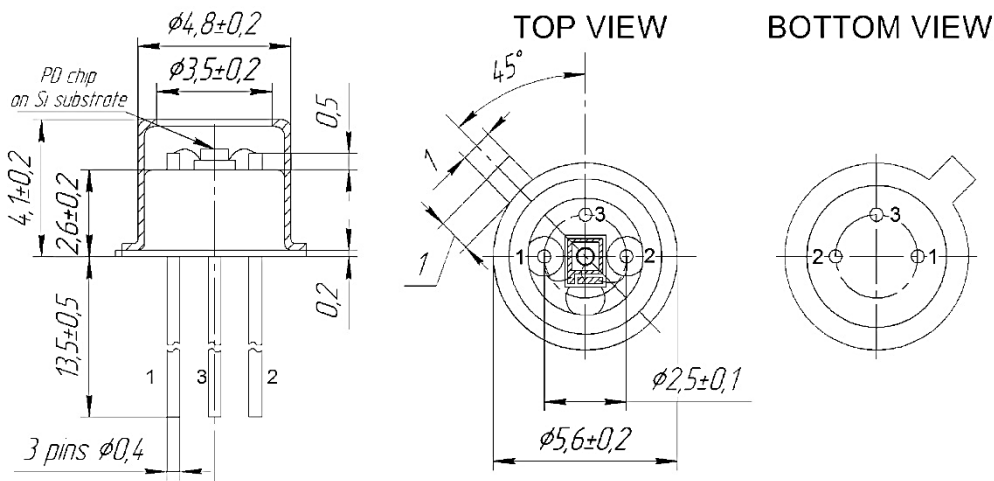
### Important Cautions:

- Check your connection circuits before turning on the PD.
- Mind the PD polarity: PD anode is marked with a RED dot.
- DO NOT connect the PD to the multimeter.

## Outline Dimensions

PD43-05

TO-18 with cap without glass window

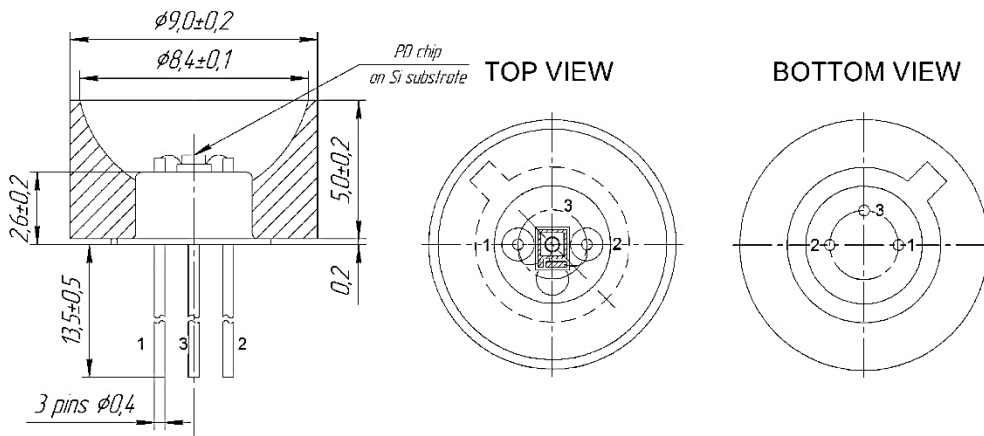


All Dimensions in mm



## PD43-05R

TO-18 with parabolic reflector without glass window

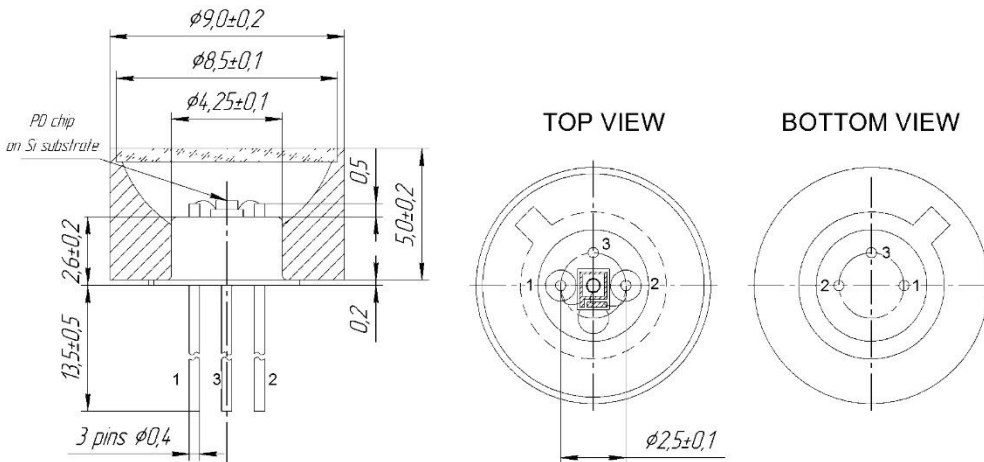


Lead	Description
PIN 1	PD Cathode
PIN 2	PD Anode
PIN 3	-

All Dimensions in mm

## PD43-05RW

TO-18 with parabolic reflector with glass window

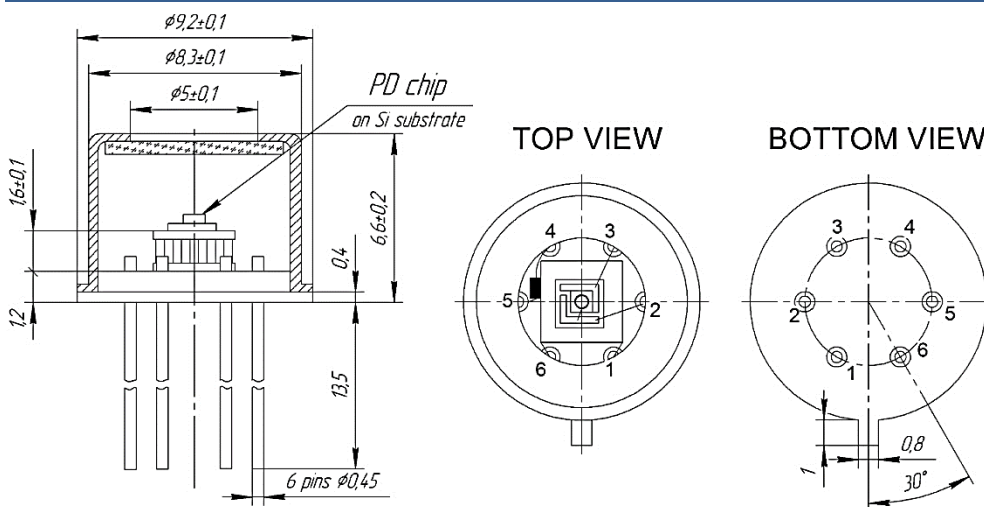


Lead	Description
PIN 1	PD Cathode
PIN 2	PD Anode
PIN 3	-

All Dimensions in mm

## PD43-05TW

TO-5 with built-in thermocooler and thermoresistor, covered by cap with glass window



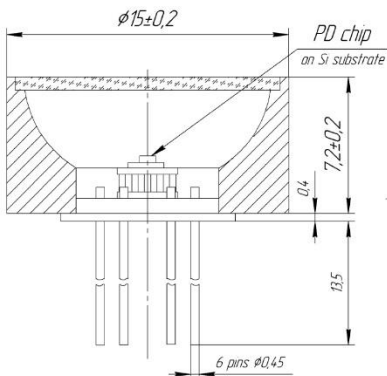
Lead	Description
PIN 1	TEC +
PIN 2	PD Anode
PIN 3	PD Cathode
PIN 4	Thermistor
PIN 5	Thermistor
PIN 6	TEC -

All Dimensions in mm

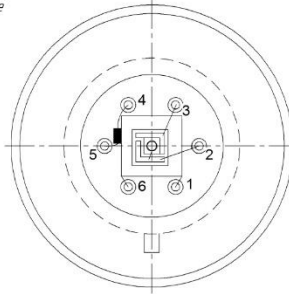


## PD43-05TRW

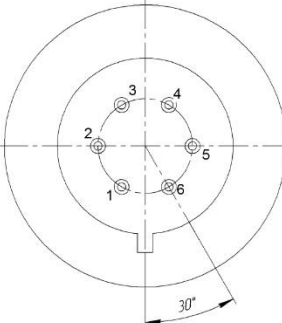
TO-5 with built-in thermocooler and thermoresistor, covered by parabolic reflector with glass window



TOP VIEW



BOTTOM VIEW

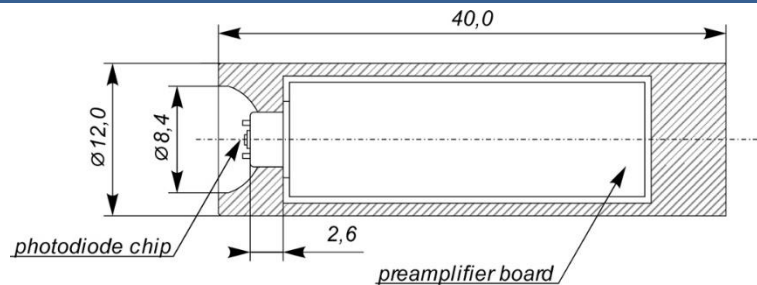


Lead	Description
PIN 1	TEC +
PIN 2	PD Anode
PIN 3	PD Cathode
PIN 4	Thermistor
PIN 5	Thermistor
PIN 6	TEC -

All Dimensions in mm

## PD43-05R-AMP

PD with built-in preamplifier; TO-18 with parabolic reflector without window in an aluminum tube



All Dimensions in mm

**Power input voltage:** +5 V, stabilized

### Connections:

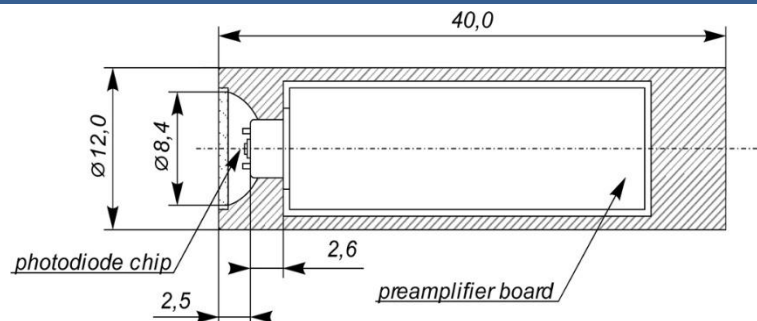
The output of PD with a built-in preamplifier has four wires:

- "+" power input (to the "+5V" of the power output terminal block of the synchronous detector);
- "ground" power input (to the "0V" of the power output terminal block of the synchronous detector);
- "ground" output photodiode signal (to the "0V" of the signal input terminal block of the synchronous detector);
- "+" output photodiode signal (to the "IN" of the signal input terminal block of the synchronous detector).

**For the proper connection mind the colors of the wires pointed in the technical data provided with the photodiode.**

## PD43-05RW-AMP

PD with built-in preamplifier; TO-18 with parabolic reflector with window in an aluminum tube



All Dimensions in mm

**Power input voltage:** +5 V, stabilized

### Connections:

The output of PD with a built-in preamplifier has four wires:

- "+" power input (to the "+5V" of the power output terminal block of the synchronous detector);
- "ground" power input (to the "0V" of the power output terminal block of the synchronous detector);
- "ground" output photodiode signal (to the "0V" of the signal input terminal block of the synchronous detector);
- "+" output photodiode signal (to the "IN" of the signal input terminal block of the synchronous detector).

**For the proper connection mind the colors of the wires pointed in the technical data provided with the photodiode.**



## Precautions

---

### Soldering:

- Do avoid overheating of the PD
- Do avoid electrostatic discharge (ESD)
- Do avoid mechanical stress, shock, and vibration
- Do only use non-corrosive flux
- Do not apply current to the LED until it has cooled down to room temperature after soldering

### Static Electricity:

PDs are sensitive to electrostatic discharge (ESD). Precautions against ESD must be taken when handling or operating these PDs. Surge voltage or electrostatic discharge can result in complete failure of the device.



---

© All Rights Reserved

The above specifications are for reference purpose only and subjected to change without prior notice